

Horn Speakers

C 2050

10W 100V Line IP66 ABS Horn Speaker - Grey

Overview

This horn has been engineered for distributed paging systems where a high degree of speech intelligibility and program clarity is paramount.

Compact yet very efficient with a high SPL of 104dB, 1W @ 1m. This horn speaker is ideal for car parks, plant rooms, industrial plants, schools, train/bus stations and airports etc.

Features

- Exclusive bracket design for fast installation
- Weather resistant
- UV stabilised ABS for long life, even in full sun
- Superb speech & music reproduction
- Excellent sound dispersion & response
- EWIS line monitoring system compatible
- 5 year warranty

About Redback® Speaker Drivers

Each horn speaker has been specifically engineered to ensure a wide frequency range and dispersion angle, plus a high sound pressure level (SPL) ensuring excellent music and speech intelligibility; which is highly desirable.

Redback® drivers exhibit optimum frequency response and efficiency for BGM & paging applications.

Redback® drivers are subject to strenuous factory testing reducing the risk of unit failure or performance reduction over time.

Installation Guidelines

It is supplied with an in-built bipolar capacitor making it compatible with EWIS control systems employing line monitoring circuitry. It is also fitted with a 4 core termination lead to provide connection points for loop in, loop out wiring, as required by Australian Standards.

A screwdriver adjustable switch is provided to select the desired power tapping.

Supplied with nickel plated chrome hardware.

The neutral grey or white colour choices provide an architecturally unobtrusive finish to virtually any installation.

REDBACK®



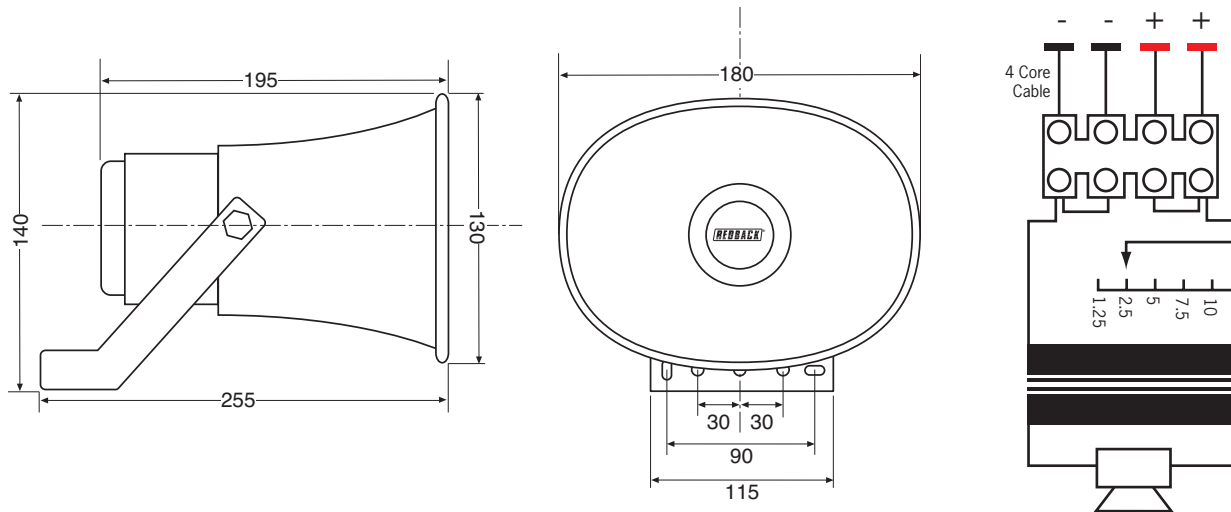
Exclusive 'Dog Leg' Design



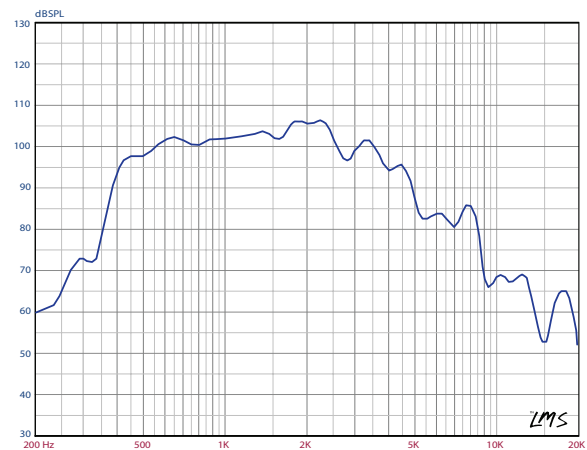
Exclusive design incorporates a dog leg mounting bracket which eliminates the need to separate the horn from the bracket during installation. A real time & money saver!

Traditional horn speaker brackets have to be removed, screwed to the wall surface, and then bolted back onto the horn speaker. The 'dog leg' bracket on these units eliminates all of that labour, allowing enough clearance to fit a drill under the horn speaker body.

This design is protected by patent and design registrations and is only available from Redback®.

Dimensions (mm) & Transformer Details**Specifications**

Electrical	
Power taps	1.25, 2.5, 5, 7.5, 10W
SPL 1W @ 1m	104dB @ 1kHz (+/- 2dB)
SPL Max Tap @ 1m	114dB @ 1kHz (+/- 2dB)
Frequency response	340Hz-10kHz
Connection	4 core fly lead
EWIS line monitoring	22uF bipolar capacitor fitted
Dispersion angle @ 1kHz	160° vertical, 130° horizontal
Mechanical	
Driver construction	Aluminium voice coil former
Mounting depth	255mm
Overall weight	1.2kg
Environmental	
Operating temperature	-20°C to +55°C
Relative humidity	< 95%
Accessories	
T 2326	150mm long #0 Philips bit for installation

Frequency Response (SPL 1W @ 1m)**Architect Specifications**

The horn speaker shall operate at 100V and have power taps of 10W, 7.5W, 5W, 2.5W and 1.25W. Power settings shall be made by screw driver switch. It shall have SPL of 104 – 114dB. It shall have a frequency response of 340Hz to 10kHz and a dispersion angle of 130°. It shall have a 22uF bipolar isolation capacitor for line monitoring. The horn will be provided with a four core cable for field wiring connection. Two for the incoming circuit and two for the outgoing circuit. The speaker body shall be made of grey ABS and have an IP66 rating. The speaker shall incorporate nickel plated chrome hardware and steel 'dog leg' mounting bracket. The horn speaker shall be a REDBACK model C 2050.