

**RISCO**  
GROUP

Creating Security Solutions  
With Care.  
riscogroup.com

Models: RWT92  
RWT92P



iWISE  
**Wireless**  
PIR & PIR Pet Detectors



[www.riscogroup.com](http://www.riscogroup.com)  
[www.riscogroup.co.uk](http://www.riscogroup.co.uk)  
[www.riscogroup.fr](http://www.riscogroup.fr)  
[www.riscogroup.it](http://www.riscogroup.it)  
[www.riscogroup.com/dutch](http://www.riscogroup.com/dutch)  
[www.riscogroup.com/esp](http://www.riscogroup.com/esp)  
[www.riscogroup.com/por](http://www.riscogroup.com/por)  
[www.riscogroup.com/cn](http://www.riscogroup.com/cn)

LISTED



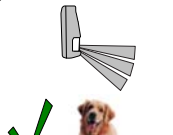
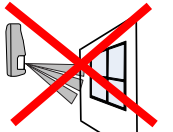
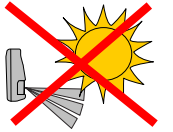
UL statement:  
These detectors operate  
only with RISCO's LISTED  
ProSYS control units and  
wireless receivers

Only 433MHz units are UL Listed.  
PIR 433MHz - RWT92043300C  
PET 433MHz - RWT92P43300C  
PIR 868MHz - RWT92086800C  
PET 868MHz - RWT92P86800C



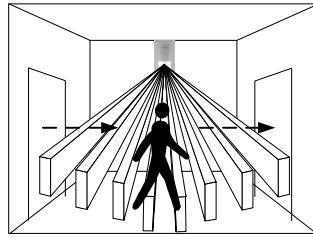
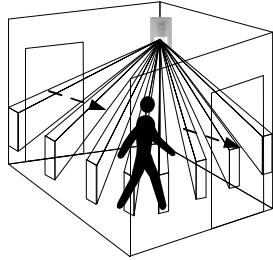
x 1

x 3

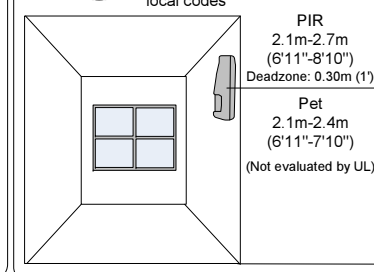


Do not obstruct the  
detector field of view

1

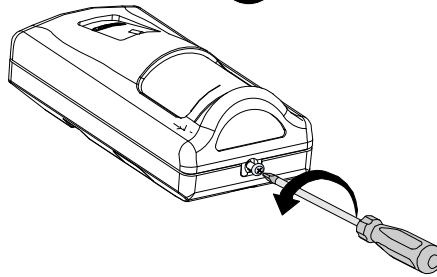


2

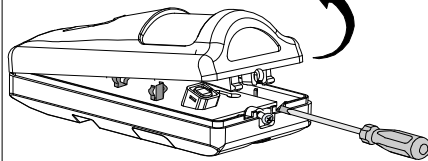


PIR  
2.1m-2.7m  
(6'11"-8'10")  
Deadzone: 0.30m (1')  
Pet  
2.1m-2.4m  
(6'11"-7'10")  
(Not evaluated by UL)

3

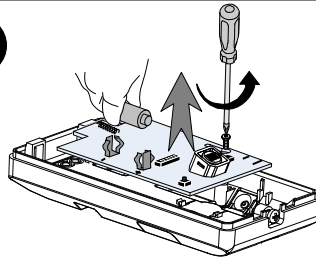


4



Use only CR123A  
batteries:  
DURACELL DL123A  
GPI International  
CR123A  
PANASONIC CR123A  
SANYO CR123A  
VARTA CR123A

5



The batteries have to be  
replaced every three years.  
THE LITHIUM BATTERY IS  
NOT USER REPLACEABLE,  
SERVICING AND  
REPLACEMENT MUST BE  
DONE BY A TRAINED  
TECHNICIAN (refer to  
technical specifications  
section for types of batteries  
to be used).  
It is recommended to have a  
walk test for the detector  
more than once a year.

**EN** Caution: The battery used in this device may present a fire or chemical burn hazard if mistreated. Do not recharge, disassemble, heat above 100°C (212°F) or dispose of in fire. Replace battery with (battery mfg's name or end-product mfg's name and part no. only) use of another battery may present a risk of fire or explosion. Dispose of used battery promptly. Keep away from children. Do not disassemble and do not dispose of in fire.

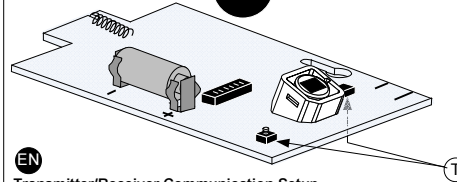
**IT** Attenzione: Pericolo di esplosione in caso di utilizzo di un tipo di batterie non adeguato. Smaltire le batterie secondo la normativa vigente.

**SP** Cuidado: Si la batería se reemplaza por un tipo incorrecto hay riesgo de explosión. Elimine las baterías usadas según las regulaciones locales.

**FR** Mise en garde : risque d'explosion si la pile est remplacée par un type incorrect. Débarrassez-vous des batteries usagées en accord avec les réglementations locales.

**PR** Cuidado: Pode ocorrer o risco de explosão caso substituir as pilhas por outras de tipo indevido. É necessário desfazer-se das pilhas usadas de acordo com os regulamentos locais.

6



EN

#### Transmitter/Receiver Communication Setup

The detector must identify itself to the system's receiver by performing the following steps (:

1. Set the receiver to Write Mode.
2. Remove the battery from the insulation material.
3. Send a WRITE message by pressing both of the tamper switches (T) (back and cover) for at least 3 seconds.

Verify that the detector has been identified by the receiver.

IT

#### CONFIGURAZIONE DELTRASMETTITORE / RICEVITORE

Il sensore deve essere identificato dal sistema ricevente eseguendo la procedura seguente:

1. Predisporre il ricevitore nel Modo Indirizzo (Write).
2. Rimuovere la plastica di protezione dalla batteria.
3. Trasmettere l'indirizzo dell'unità al ricevitore premendo contemporaneamente gli interruttori tamper (T) (antiapertura e antirimozione) per almeno 3 secondi.

Verificare che il trasmettitore sia stato identificato dal ricevitore.

SP

#### CONFIGURACIÓN DE LA COMUNICACIÓN TRANSMISOR / RECEPTOR

El detector debe identificarse ante el receptor del sistema escribiendo su mensaje codificado en la memoria de dirección del receptor. Esto se logra ejecutando los pasos siguientes:

1. Colocar el receptor en Modo Write.
2. Remover el material aislante de la batería.
3. Mandar un mensaje Write pulsando los dos botones interruptores del tamper (T) (posterior y delantero) al menos por 3 segundos.

Verificar que el detector ha sido identificado por el receptor

FR

#### Mise en communication de l'émetteur/ récepteur

Le récepteur du système doit identifier le détecteur par lebiais de l'inscription du message codé de ce dernier dans sa mémoire d'adresses. Cette opération s'exécute selon les étapes suivantes :

1. Réglez le récepteur en mode écriture (Write).
2. Retirez la pile de l'équipement d'isolation.
3. Envoyez un message en écriture en appuyant simultanément sur les touches d'autoprotection (T) (arrière et frontale) pendant au moins 3 secondes.

Verifiez que le détecteur a bien été identifié par le récepteur

PR

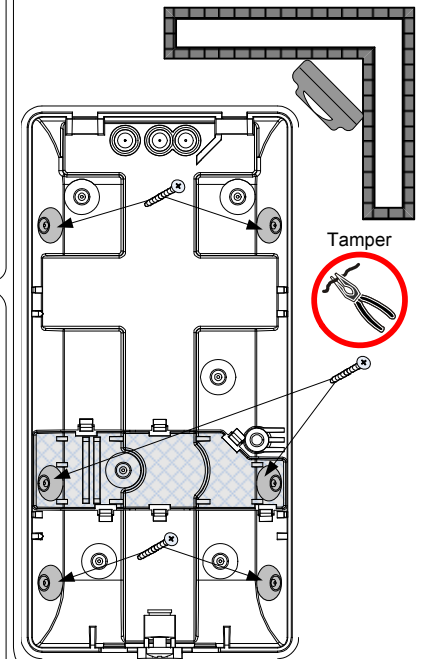
#### CONFIGURAÇÃO DACOMUNICAÇÃO TRANSMISSOR / RECEPTOR

O detector deve identificar-se ante o receptor do sistema, gravando sua mensagem codificada na memória de endereços do receptor. Este procedimento é realizado da seguinte maneira:

1. Coloque o receptor no Modo de Gravação (Write).
2. Remova a proteção de isolamento da pilha.
3. Mande uma mensagem Write, apertando os dois botões interruptores do tamper (T) (posterior e dianteiro) durante, no mínimo, 3 segundos.

Verifique que o detector tenha sido identificado pelo receptor.

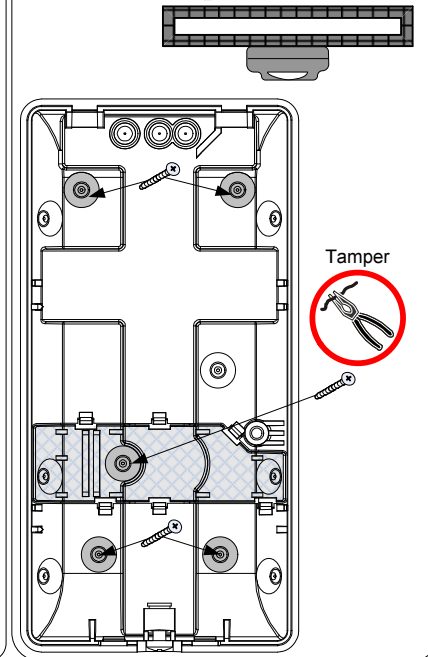
7



Tamper

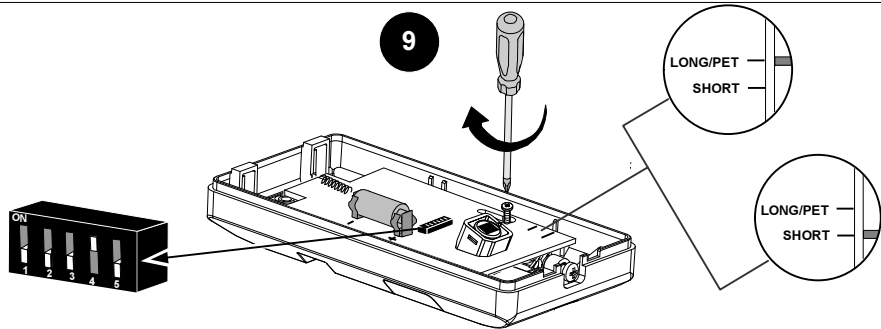


8



Tamper





SW1	EN	Function	OFF	ON	IT	Funzione	OFF	ON	SP	Función	OFF	ON	FR	Fonction	OFF	ON	PR	Função	OFF	ON	
1		Sensitivity	Low	High	Sensibilità	Bassa	Alta	Sensibilidad	Baja	Alta	Sensibilit�	Faible	Elev�	Sensibilidade	Baixa	Alta					
2		Operation	Normal 2.5 min.	Walk Test	Modo operativo	Normale 2.5 min.	Prova Movimento	Modo de operaci�n	Normal 2.5 min.	Prueba de Movimiento	Operaci�n	Normal 2.5 min.	Test de passage	Opera�o	Normal 2.5 min.	Teste de Caminhada					
3		Supervision	15 min.	65 min.	Supervisione	15 min.	65 min.	Monitoreo	15 min.	65 min.	Surveillance	15 min.	65 min.	Monitora�o	15 min.	65 min.					
4		LED	OFF	ON	LED	OFF	ON	LED	OFF	ON	LED	OFF	ON	LED	OFF	ON					
* 5		RF	High	Low	RF	Alta	Bassa	RF	Alta	Baja	RF	Elev�	Faible	RF	Alta	Baixa					

\* 433 model only      \* Solo versione 433 MHz      \* S lo modelo 433 MHz      \* Seulement mod le 433 MHz      \* Somente modelo 433 MHz

### EN TECHNICAL SPECIFICATIONS

ELECTRICAL	
Battery Type:	CR 123, 3V Lithium Battery
Low Voltage Threshold (LVT):	2.5V
Current Consumption:	30 microamps standby, 13 mA transmit
Frequency:	868.65MHz/ 433.92MHz
Supervision Transmission:	Every 15 minutes or 65 minutes
Modulation Type:	ASK
Battery Life:	3 years (Typical)
OPTICAL	
Filtering:	White Light Protection
Pet:	Up to 36 Kg (80lb)
PHYSICAL	
Size:	127.6 x 64.2 x 46.6 mm (5 x 2.5 x 1.84 in.)
ENVIRONMENTAL	
RF Immunity:	According to EN50130-4
Operating Temperature:	-10°C to 55°C (14°F to 131°F)
Storage Temperature:	-20°C to 60°C (-4°F to 140°F)

Specifications are subject to change without prior notice. Should any questions arise please contact your supplier.

### IT SPECIFICHE TECNICHE

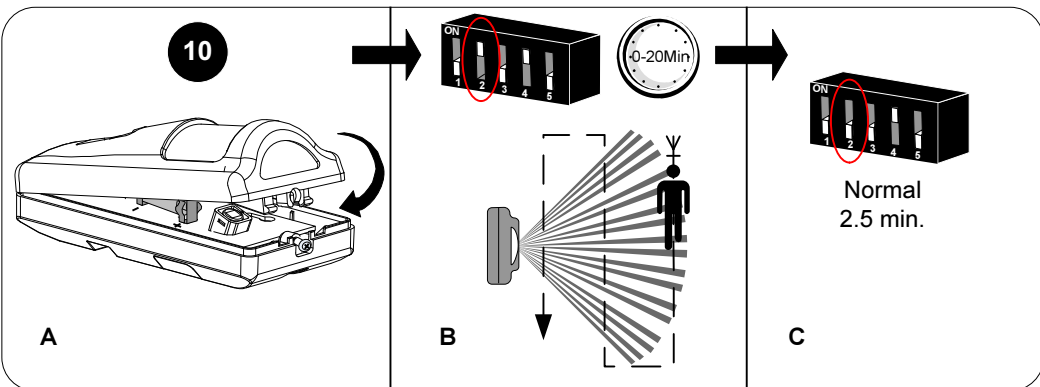
ELETTICHE	
Tipo batteria:	Batteria al Litio CR123, 3V
LVT	2.5V
Assorbimento in Corrente:	30 microamps a riposo 13 mA in trasmissione
Frequenza:	868.65MHz/ 433.92MHz
Trasmissione supervisione:	Ogni 15 minuti o 65 minuti
Tipo di Modulazione:	ASK
Durata Batteria:	3 anni (Tipico)
OTTICHE	
Filtro:	Protezione dalle luci bianche
Animali domestici:	≤ 36 Kg (80lb)
PHYSIQUES :	
Dimensions :	127.6 x 64.2 x 46.6 mm (5 x 2.5 x 1.84 in.)
AMBIENTAL	
Immunit� RF :	Conforme alla normativa EN50130-4
Temp. di funzionamento:	-10°C to 55°C (14°F to 131°F)
Temperatura di stoccaggio:	-20°C to 60°C (-4°F to 140°F)

Le specifiche possono essere soggette a modifiche senza preavviso. Per qualsiasi informazione contattare il Vostro distributore.

### SP ESPECIFICACIONES

EL�CTRICA	
Bater�a del tipo:	CR123, 3v Bateria de litio
LVT	2.5v
Consumo de Corriente:	30 microamps a de Reserva 13 mA en la transmisi�n
Frecuencia:	868.65MHz/ 433.92MHz
Transmisi�n de Monitoreo:	Cada 15 minutos /o 65 minutos
Tipo de Modulaci�n:	ASK
Duraci�n de la Bateria:	3 a�os (T�pico)
�PTICA	
Filtraci�n:	Protecci�n Contra Luz Blanca
Animales dom�sticos:	≤ 36 Kg (80lb)
F�SICA	
Dimensiones:	127.6 x 64.2 x 46.6 mm (5 x 2.5 x 1.84 in.)
AMBIENTAL	
Inmunitad RF:	Ajustarse a EN50130-4
Temperatura de Operaci�n:	-10°C to 55°C (14°F to 131°F)
Temperatura de almacenamiento:	-20°C to 60°C (-4°F to 140°F)

Las especificaciones est n sujetas a cambios sin aviso anterior. En caso de dudas contacte su proveedor.



### FR SPECIFICATIONS

ELECTRIQUES :	
LVT	2.5v
Pile :	CR123, 3V Lithium.
Consommation :	30 microamps en veille; 13 mA dans la transmission
Fr�quence :	868.65MHz/ 433.92MHz
Transmission de la surveillance :	Toutes les 15 minutes/ ou 65 minutes.
Type de modulation :	ASK
Dur�e de la pile:	3 ans (Typique)
OPTIQUES :	
Filtrage :	Lumi�re blanche de protection
Animaux Domestiques :	≤ 36 Kg (80lb)
PHYSIQUES :	
Dimensions :	127.6 x 64.2 x 46.6 mm (5 x 2.5 x 1.84 in.)
ENVIRONNEMENTALES	
Immunit� RF :	R�pond � la norme EN50130-4
Temp�rature de fonctionnement :	-10°C to 55°C (14°F to 131°F)
Temp�rature de stockage :	-20°C to 60°C (-4°F to 140°F)

Ces sp cifications sont susceptibles de subir des modifications sans avis pr alable. Si vous avez des questions, n'h sitez pas   contacter votre fournisseur.

### PR ESPECIFICA ES

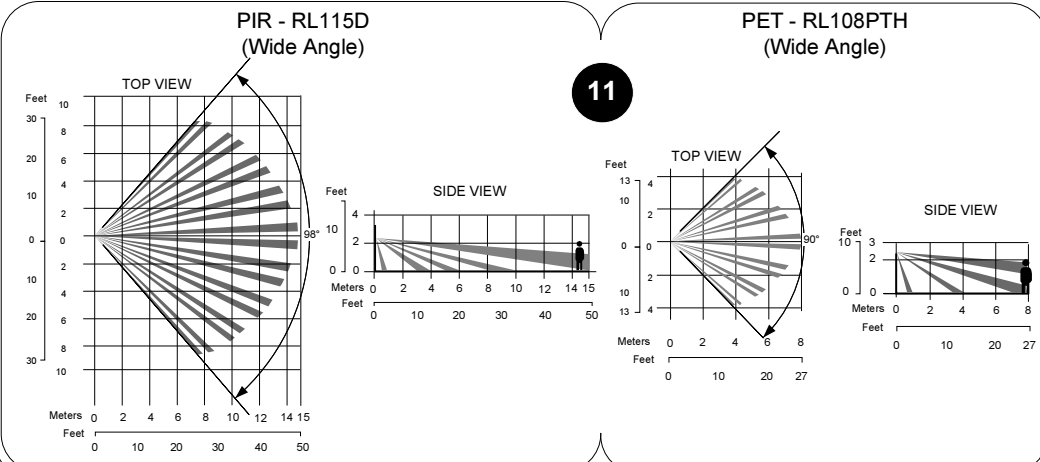
EL�TRICA	
Tipo de Bateria:	CR123, 3v Bateria de litio
LVT	2.5v
Consumo de Corrente:	30 microamps a de Reserva 13 mA na transmiss�o
Freq�ncia:	868.65MHz/ 433.92MHz
Transmiss�o de Monitora�o:	A cada 15 minutos /ou 65 minutos
Tipo de Modulaci�o:	ASK
Vida �til da Bateria:	3 anos (T�pico)
�TICA	
Filtra�o:	Prote�o Contra Luz Branca
Pequenos Animais:	≤ 36 Kg (80lb)
F�SICA	
Dimens�es:	127.6 x 64.2 x 46.6 mm (5 x 2.5 x 1.84 in.)
AMBIENTAL	
Inmuidad RF:	Conformar-se a EN50130-4
Temperatura de Opera�o:	-10°C to 55°C (14°F to 131°F)
Temperatura de Armazenagem:	-20°C to 60°C (-4°F to 140°F)

As especifica es est o sujeitas a modifica es sem aviso pr vio. Em caso de d vidas, contate seu fornecedor.

### Contacting RISCO Group

RISCO Group is committed to customer service and product support. You can contact us through our website [www.riscogroup.com](http://www.riscogroup.com) or as follows:

United Kingdom	USA
Tel: +44-(0)-161-655-5500	Tel: +1-631-719-4400
support-uk@riscogroup.com	support-usa@riscogroup.com
Italy	Brazil
Tel: +39-02-66590054	Tel: +55-11-3661-8767
support-it@riscogroup.com	support-br@riscogroup.com
Spain	China (Shanghai)
Tel: +34-91-490-2133	Tel: +86-21-52-39-0066
support-es@riscogroup.com	support-cn@riscogroup.com
France	China (Shenzhen)
Tel: +33-164-73-28-50	Tel: +86-755-82789285
support-fr@riscogroup.com	support-cn@riscogroup.com
Belgium (Benelux)	Poland
Tel: +32-2522 7622	Tel: +48-22-500-28-40
support-be@riscogroup.com	support-pl@riscogroup.com
Israel	Israel
Tel: +972-3963-7777	Tel: +972-3963-7777
support@riscogroup.com	support@riscogroup.com



### Approvals (RWT92086800C, RWT92P86800C)

EN50131-1,  
EN50131-2-2 Grade 2:(G2)  
EN50130-5 Environmental Class II : (EC2)  
EN50131-6: Type C  
EN50131-5-3 Grade 2



Hereby Hereby, RISCO Ltd. declares that this product is in compliance with the essential requirements and other relevant provisions of Directive 1999/5/EC. The Declaration of Conformity may be consulted at [www.riscogroup.com](http://www.riscogroup.com)



### FCC part 15 statement and warnings (RWT92x43300C)

NOTE: This equipment has been tested and found to comply with the limits for a Class B digital device, pursuant to Part 15 of the FCC Rules. These limits are designed to provide reasonable protection against harmful interference in a residential installation. This equipment generates, uses and can radiate radio frequency energy and, if not installed and used in accordance with the instructions, may cause harmful interference to radio communications. However, there is no guarantee that interference will not occur in a particular installation. If this equipment does cause harmful interference to radio or television reception, which can be determined by turning the equipment off and on, the user is encouraged to try to correct the interference by one or more of the following measures:

- Reorient or relocate the receiving antenna.
- Increase the separation between the equipment and receiver.
- Connect the equipment into an outlet on a circuit different from that to which the receiver is connected.
- Consult the dealer or an experienced radio/TV technician for help.

FCC ID: JE4RWT90X433

  RISCO Group 12/2014

5INWT92 F