

SEQ SERIES ACCESS CONTROL BOLLARDS

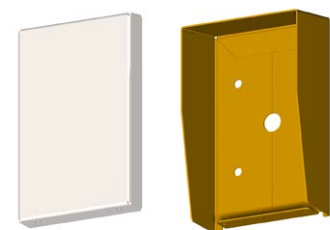
The SEQ Series of bollards accommodate a range of access control accessories including proximity readers, intercoms, push buttons, cameras and access keypads. The integrated rain and sun shields make the range suitable for both indoor and outdoor applications.

Choose from either a yellow or black powder coated finish. Custom sizes and custom colours are also available on request.

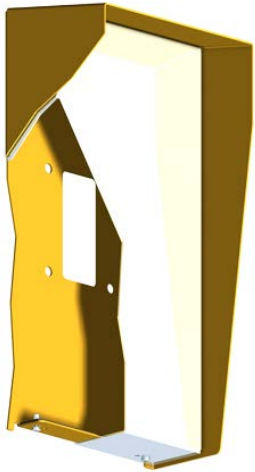
We also offer a custom design and manufacturing service for special applications, along with a standard range of CCTV camera housings and mounting accessories. Visit our website or speak to our staff for more details.



XSE150Y
1500mm extension
150 & 300mm extensions available in black and yellow.



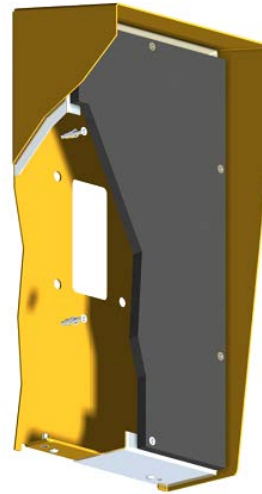
SERS2013
with customisable interface
Interface is safely secured by 2 screws for ease of installation.



SERS3618Y

SERS

Rain hood with aluminium mounting panel. Ideal when you need to use the full height and width of the panel and not have to consider the front panel fasteners and frame behind.



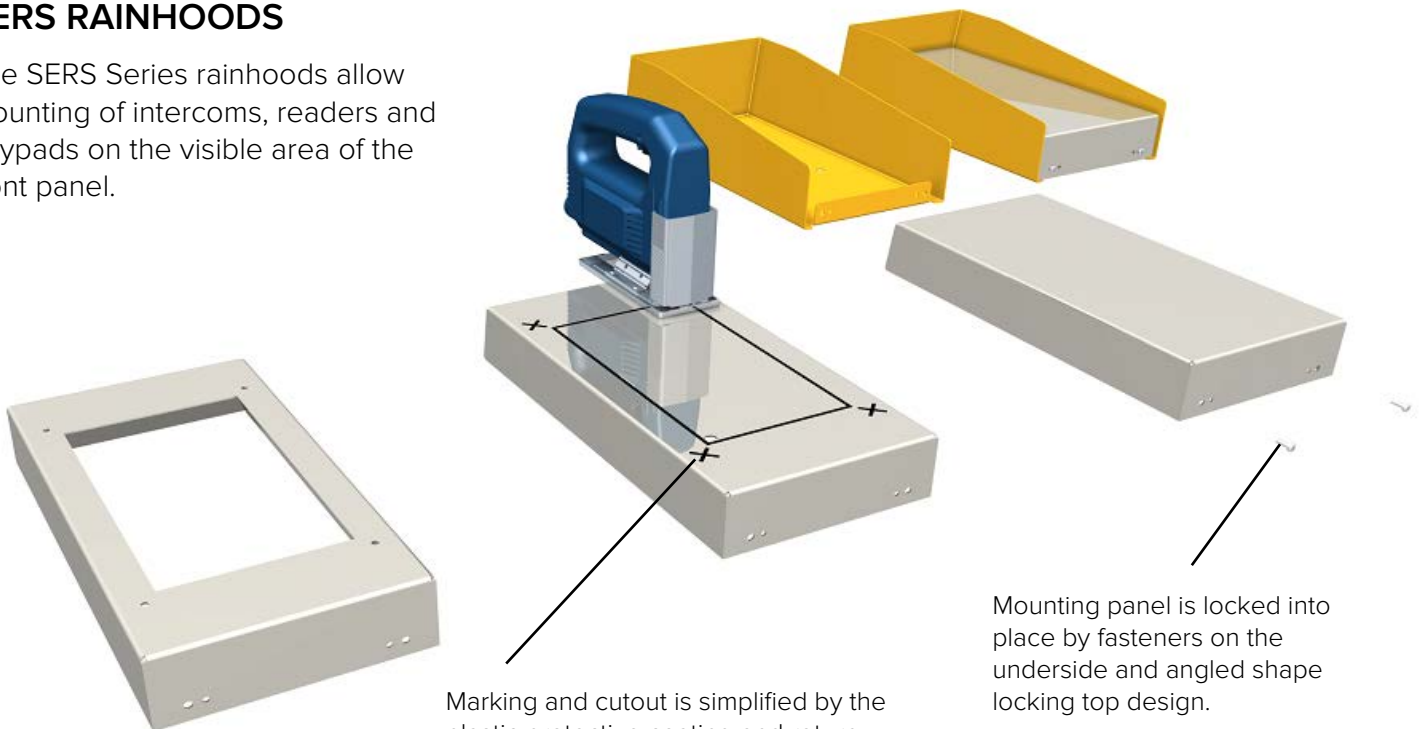
SERH3618Y

SERH

Rain hood with 10mm polyethylene mounting panel. A non-conductive back plane for sensors, easily cut and drilled.

SERS RAINHOODS

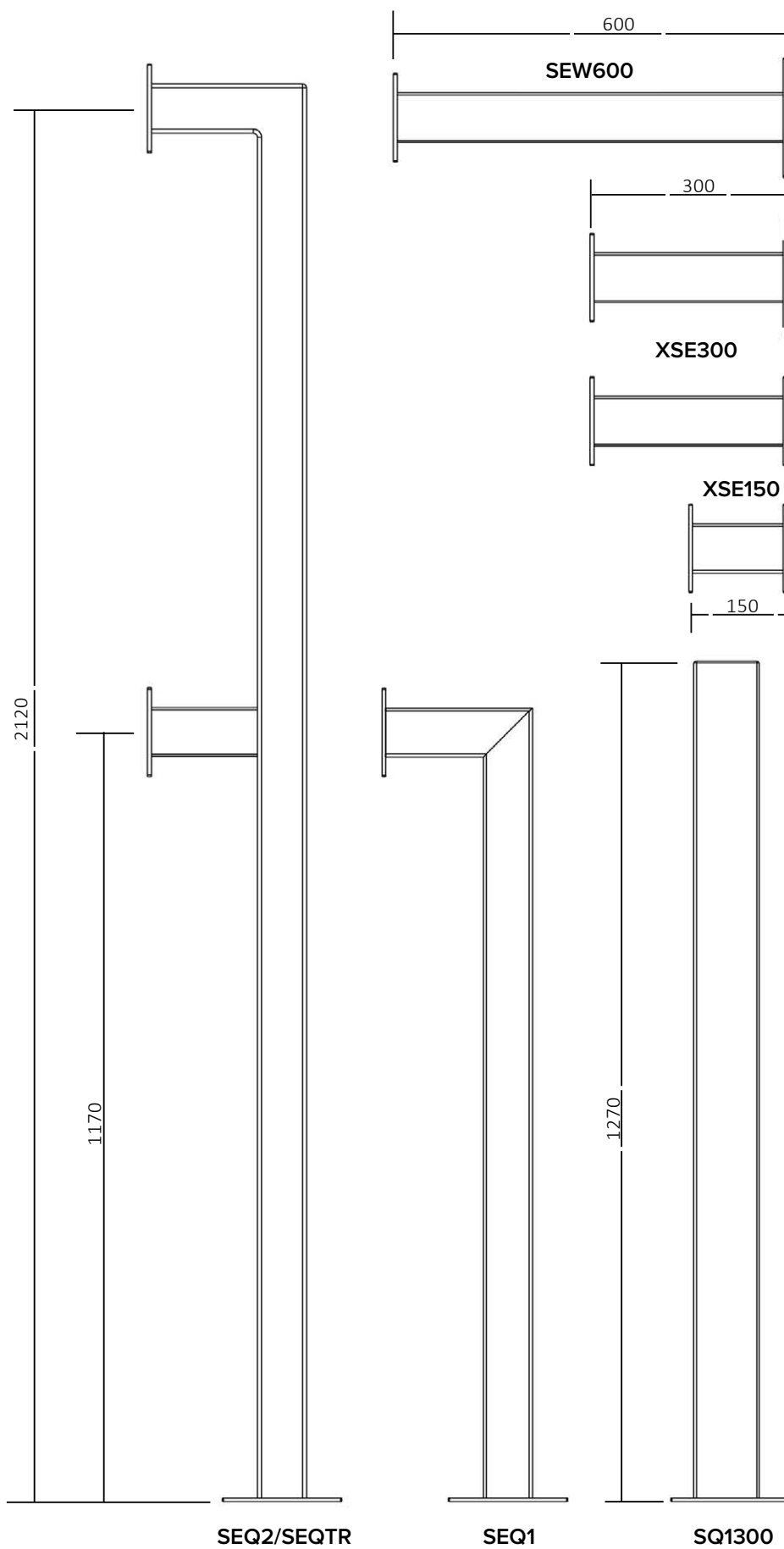
The SERS Series rainhoods allow mounting of intercoms, readers and keypads on the visible area of the front panel.



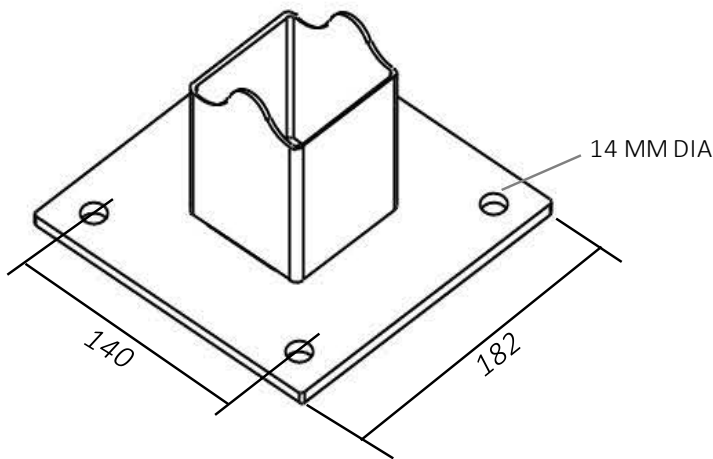
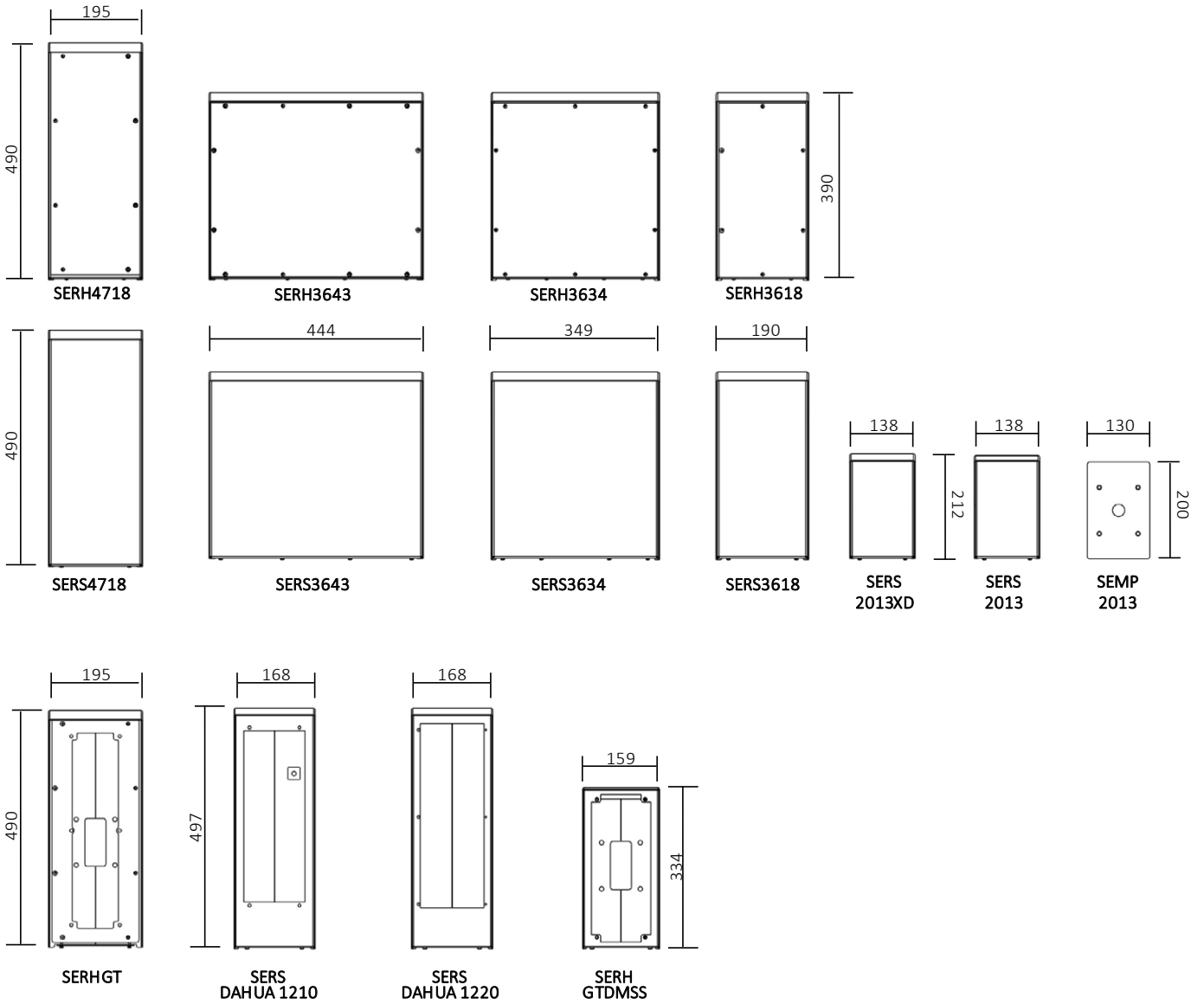
Marking and cutout is simplified by the plastic protective coating and return folded edges providing height to allow a jigsaw blade to clear working surfaces below.

Mounting panel is locked into place by fasteners on the underside and angled shape locking top design.

ACCESS CONTROL BOLLARDS DIMENSIONS



ACCESS CONTROL BOLLARDS DIMENSIONS



WALL AND BASE PLATE DIMENSIONS FOR:

SEQ1, SEQ2, SEQTR, SER1, SER2, SQ1300, SEW300, SEW600

182 x 182mm Square (Mounting holes 14mm diameter - 140mm between centers).

ACCESS CONTROL BOLLARDS PARTS + PRICING

Part Number	Description
SQ1300	100 X 100 X 1270MM HIGH SQUARE BARRIER BOLLARD DURAGAL POST EPOXY ZINC POWDER COAT PRIMED AND POLYESTER POWDER TOP COAT
SEQ1	75 X 75 X 1170 MM HIGH SINGLE READER / INTERCOM BOLLARD DURAGAL POST EPOXY ZINC POWDER COAT PRIMED AND POLYESTER POWDER TOP COAT
SEQ2	75 X 75 X 1170 & 2120 MM HIGH DUAL READER / INTERCOM BOLLARD DURAGAL POST EPOXY ZINC POWDER COAT PRIMED AND POLYESTER POWDER TOP COAT
SEQTR	75 X 75 X 2120 MM HIGH SINGLE READER / INTERCOM BOLLARD DURAGAL POST EPOXY ZINC POWDER COAT PRIMED AND POLYESTER POWDER TOP COAT
SEW300	300MM PROJECTION WALL MOUNT READER / INTERCOM ARM CABLE PATH THROUGH REAR AND UNDERSIDE OF ARM
SEW600	600MM PROJECTION WALL MOUNT READER / INTERCOM ARM CABLE PATH THROUGH REAR AND UNDERSIDE OF ARM
SERH3618	360H X 180W RAIN HOOD 10MM POLYETHELENE BLACK BOARD MOUNTING PANEL 60MM SPACE BEHIND PANEL + 10MM POLYBOARD THICKNESS
SERS3618	360H X 180W RAIN HOOD ALUMINIUM MOUNTING PANEL 60MM SPACE BEHIND PANEL
SERH3634	360H X 340W RAIN HOOD 10MM POLYETHELENE BLACK BOARD MOUNTING PANEL 60MM SPACE BEHIND PANEL + 10MM POLYBOARD THICKNESS
SERS3634	360H X 340W RAIN HOOD ALUMINIUM MOUNTING PANEL 60MM SPACE BEHIND PANEL
SERH4718	470H X 180W RAIN HOOD 10MM POLYETHELENE BLACK BOARD MOUNTING PANEL 80MM SPACE BEHIND PANEL + 10MM POLYBOARD THICKNESS
SERS4718	470H X 180W RAIN HOOD ALUMINIUM MOUNTING PANEL 80MM SPACE BEHIND PANEL
SERH3643	360H X 430W RAIN HOOD 10MM POLYETHELENE BLACK BOARD MOUNTING PANEL 60MM SPACE BEHIND PANEL + 10MM POLYBOARD THICKNESS
SERS3643	360H X 430W RAIN HOOD ALUMINIUM MOUNTING PANEL 60MM SPACE BEHIND PANEL
SERHGT	463H X 180W R/HOOD SUIT AIPHONE GT-DM & GT-4F SUPPLIED WITH 2 X BLACK POWDER COATED MOUNTING PLATES.
SERHGTDMSS	316 GRADE STAINLESS STEEL BOLLARD AND SURFACE MOUNT ENCLOSURE SUIT AIPHONE GT DMB N
SERSDAHUA1210	316 GRADE STAINLESS STEEL SURFACE MOUNT ENCLOSURE SUIT DAHUA 1210 INTERCOM (NO MOUNTING HOLES AND CABLE PATH FOR BOLLARD)
SERSDAHUA1220	316 GRADE STAINLESS STEEL SURFACE MOUNT ENCLOSURE SUIT DAHUA 1220 INTERCOM (NO MOUNTING HOLES AND CABLE PATH FOR BOLLARD)
XSE150	MOUNT EXTENDER 150MM SUIT SEQ & SEW SERIES ARMS AND BOLLARDS DURAGAL PIPE SECTION EPOXY ZINC POWDER COAT PRIMED AND POLYESTER POWDER TOP COAT
XSE300	MOUNT EXTENDER 300MM SUIT SEQ & SEW SERIES ARMS AND BOLLARDS DURAGAL PIPE SECTION EPOXY ZINC POWDER COAT PRIMED AND POLYESTER POWDER TOP COAT
SERS2013	200H X 130W RAIN SHIELD SUIT SEQ & SEW SERIES ARMS AND BOLLARDS 25MM SPACE BEHIND ALUMINIUM MOUNTING PANEL.
SERS2013XD	200H X 130W RAIN SHIELD SUIT SEQ & SEW SERIES ARMS AND BOLLARDS 68MM SPACE BEHIND ALUMINIUM MOUNTING PANEL.
SEMP2013	200H X 130W MOUNTING PLATE SUIT SEQ & SEW SERIES ARMS AND BOLLARDS

NOTE: SPECIFY "Y" FOR YELLOW & B FOR BLACK POWDER COAT FINISH (IE: SEQ1Y FOR SINGLE YELLOW BOLLARD)