

1078/78C SERIES MAGNETIC CONTACTS

3/4" and 1" Steel Door Contacts

Model numbers:

(R)1076, 1076W, (R)1076C, 1076CW, (R)1076D,
1076H, 1076CH, (R)1078, 1078W, (R)1078C,
1078C1, 1078CW



*Optional 1840
Rare Earth Magnet*



- **Designed specifically for use in steel doors**
- **Special ribbed sides allow for easy installation**
- **Rugged unibody construction for maximum durability and reliability**
- **Regular, Wide Gap, SPDT, DPDT, and High Security models available**
- **Rare Earth Magnet designed for steel door with top channel available**

The **Sentrol 1078 Series** Steel Door contacts are designed specifically for use in the steel doors commonly found in commercial building applications. The unique housing design features a rugged unibody construction with flexible ribbed sides for quick, secure installation without gluing. The magnet housing isolates the magnet from the surrounding steel for maximum gap distances, both make and break. Over ten models including: Wide Gap, SPDT, DPDT, and Biased for High Security applications make the 1078 Series the most widely used and comprehensive line available.

An optional Rare Earth Magnet is available. It is designed for use in metal entry/exit doors with a channel in the top of the door. The magnet eliminates the need to cut a mounting hole in the door channel. The flexible magnet housing can be compressed to accommodate a variety of channel widths for quick, easy installation. Adhesive is recommended.

Sentrol 1078/78C Series

Architects and Engineering Specifications

The contact contains a hermetically sealed magnetic reed switch. The reed shall be potted in the contact housing with a polyurethane based compound. Contact and magnet housing shall snap-lock into a 3/4" or 1" dia. hole. Housings shall be molded of flame retardant ABS plastic. Color of housings shall be off-white, grey or mahogany brown. The magnet shall be made of Alnico V. Rare Earth Magnet shall be made of neodymium iron boron.

Designed for Use in Steel Doors

Snap-lock insulation bushing for tight fit and maximum gap in steel.

Rugged Unibody Construction for Maximum Durability and Reliability

Both contact and magnet plastic housings are constructed of one piece of thick-walled ABS plastic for maximum strength and durability.

Specifications:

Form A: (R)1078, 1078W, (R)1078C, 1078CW, 1078C1

Voltage 100 V AC/DC max.
 Current 0.5 A max.
 Power 7.5 W max.

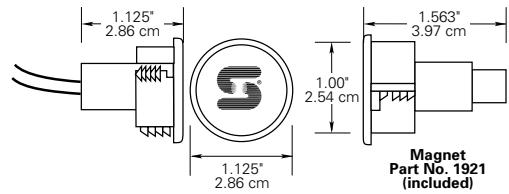
Form C: (R)1076, 1076W, 1076H, (R)1076D, 1076C(D), 1076CW, 1076CH

Voltage 30 V AC/DC max.
 Current 0.25 A max.
 Power 3.0 W max.

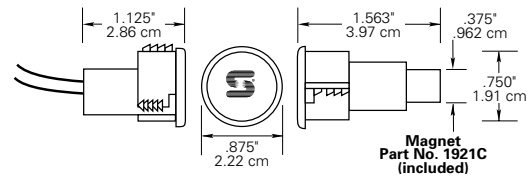
SPDT Lead Colors:

Black: Common, White: Closed Loop, Red: Open Loop

(R)1078,
 1078W,
 (R)1076,
 1076W,
 1076H,
 (R)1076D

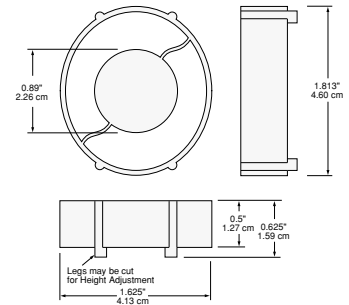


(R)1078C,
 1078CW,
 1078C1,
 (R)1076C,
 1076CW,
 1076CH



Rare Earth Magnet

(R) prefix indicates Rare Earth Magnet Protected by U.S. Patent 5,844,458.



Ordering Information

Model Number	Dia.	Loop Type	Elect. Config.	Hole Required		Gap Distance*		
				Contact	Magnet	Wood*	Steel*	Rare Earth
(R)1076	1"	Open or Closed	SPDT	1" x 1.125"	1" x 1.563"	1"	Up to 1/2"	Up to 5/8"
1076W	1"	Open or Closed	SPDT	1" x 1.125"	1" x 1.563"	2"	Up to 1"	
(R)1076D	1"	Open or Closed	DPDT	1" x 1.125"	1" x 1.563"	3/4"	Up to 3/8"	Up to 5/8"
1076H	1"	Open or Closed	SPDT	1" x 1.125"	1" x 1.563"	3/4"	Up to 1/2"	
(R)1078	1"	Closed	N/O	1" x 1.125"	1" x 1.563"	1"	Up to 1/2"	Up to 5/8"
1078W	1"	Closed	N/O	1" x 1.125"	1" x 1.563"	2"	Up to 1"	
(R)1076C	3/4"	Open or Closed	SPDT	.75" x 1.125"	.75" x 1.563"	7/8"	Up to 3/8"	Up to 5/8"
1076CW	3/4"	Open or Closed	SPDT	.75" x 1.125"	.75" x 1.563"	2"	Up to 3/4"	
(R)1078C	3/4"	Closed	N/O	.75" x 1.125"	.75" x 1.563"	7/8"	Up to 3/8"	Up to 5/8"
1078C1	3/4"	Closed	N/O	.75" x 1.125"	.75" x 1.563"	1/2"	N/A	
1078CW	3/4"	Closed	N/O	.75" x 1.125"	.75" x 1.563"	2"	Up to 3/4"	
1076CH	3/4"	Open or Closed	SPDT	.75" x 1.125"	.75" x 1.563"	5/8"	Up to 3/8"	

* Gap distances are nominal make distance +/- 20%.



SECURITY & LIFE SAFETY GROUP

CADDX | ESL | GBC | ITI | SENTROL

SENTROL 12345 SW Leveton Dr. Tualatin, OR 97062
 PH 503.692.4052 FX 503.691.7566 www.interlogixinc.com
 USA & Canada: 800.547.2556
 Technical Service: 800.648.7424
 FaxBack: 800.483.2495

©2001 Interlogix, Inc.
 Interlogix reserves the right to change specifications without notice.
 Barrier Bar and Tampruf are registered trademarks of Interlogix, Inc.
 Wing Fit, Mini-Max, Maxi-Gap and Magnapull are trademarks of Interlogix, Inc.