



Product Data Sheet

2105A-G

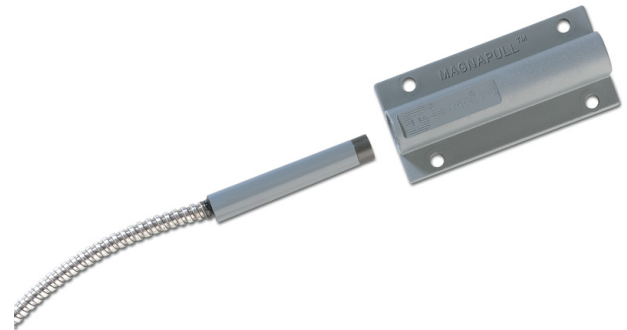
Magnapull heavy duty magnetic pull-apart contact

Superior Function

The Magnapull™ magnetic pull-apart cords by Sentrol are used to protect valuable freestanding items that are stored outdoors. The high-impact plastic housing protects the contact from corrosion or high resistance buildup. End users simply insert the cable into the contact housing; there is nothing to line up. An alarm condition is created when the cord with the magnet is pulled from the housing.

Applications

The 2105A-G contact extend monitored security protection to items such as snowmobiles, lawn and garden equipment, boats, trailers, bicycles, and motorcycles. Magnapull™ pull-apart cords can also be used to secure fence gates, overhead doors and construction equipment.



Standard Features

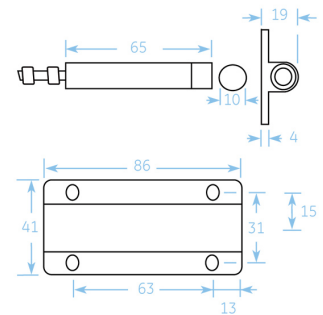
- Protect boats, trailers, barbecues, heavy equipment
- Secures almost any loose item
- Positive magnetic retention reduces false alarms
- Reed-actuated for high reliability
- Tamper loop provided
- Durable, high-impact plastic housing designed for long life

2105A-G

Magnapull heavy duty magnetic pull-apart contact

Specifications

Gap distance (max)	N/A
Connections	90 cm stainless steel armored cable
Contact	NC
Supervised loop	No
Dimensions	
Contact (Ø x L)	Ø 10 x 65 mm
Magnet (L x W x H)	86 x 41 x 19 mm
Color	Grey



Ordering Information

Part No.	Description
2105A-G	Magnapull heavy duty magnetic pull-apart contact

