

www.GESecurity.com

2202 Series Overhead Door Magnetic Contacts

Surface/floor mount contacts with armored cable

Overview

The GE Security 2202 Series overhead door magnetic contact is for use in the rigorous environments of commercial and industrial installations.

The floor mount units are constructed with a low profile heavy cast aluminum housing. The reed switch assembly is fully encased in GE Security's exclusive polyurethane potting material to prevent damage due to moisture or humidity. A wide operating gap distance of up to 3 inches makes installation easy and helps prevent false alarms caused by door movement or damaged and loose fitting doors.

The 2202 Series is available with a universal style magnet that allows for greater installation flexibility.



Standard Features

- **Wide 3-inch operating gap**
- **Fully sealed switch**
- **Form C unit available**
- **Mounting hardware included**

2202 Series Overhead Door Magnetic Contacts

Surface/floor mount contacts with armored cable

Specifications

Electrical, 2202

- Voltage: 100 VAC/DC max.
- Current: 0.5 A max.
- Power: 7.5 W max.

Electrical, 2204

- Voltage: 30 VAC/DC max.
- Current: 0.25 A max.
- Power: 3.0 W max.

Features, 2202

- Loop type: Closed
- Electrical configuration: Normally open
- Gap distance: Up to 3 in.
- Lead type: 18 in. flexible stainless steel cable

Features, 2204

- Loop type: Open or closed
- Electrical configuration: SPDT
- Gap distance: Up to 3 in.
- Lead type: 18 in. flexible stainless steel cable
- Lead colors: Black - common; white - closed loop (N.O.); red - open loop (N.C.)

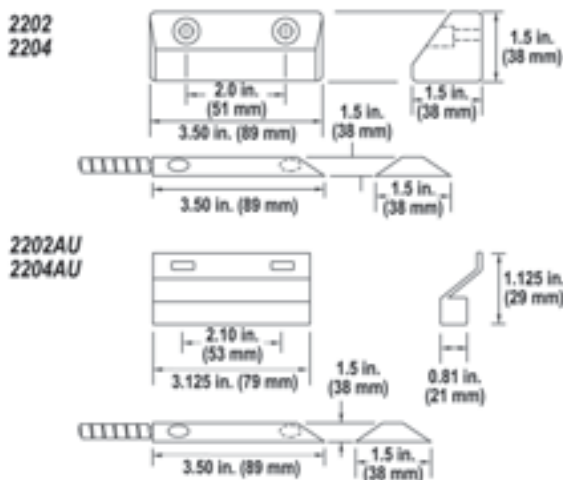
Physical

- Dimensions, 2202A (LxWxD): 3.50 x 1.50 x 1.50 in. (89 x 38 x 38 mm)
- Dimensions, 2202AU and 2204AU (LxWxD): 3.125 x 2.125 x 0.81 in. (79 x 54 x 21 mm)
- Construction: Cast aluminum
- Color: Aluminum

Regulatory

- C-UL-US

Related Diagram



Ordering Information

2202A-L	Floor-mount magnetic contact for overhead doors, aluminum housing, 3 in. gap size, closed loop, includes 18 in. stainless steel armored cable
2202AU-L	Floor-mount magnetic contact for overhead doors, universal magnet, 3 in. gap size, closed loop, includes 18 in. stainless steel armored cable
2204A-L	Floor-mount magnetic contact for overhead doors, aluminum housing, 3 in. gap size, SPDT, includes 18 in. stainless steel armored cable
2204AU-L	Floor-mount magnetic contact for overhead doors, universal magnet, 3 in. gap size, SPDT, includes 18 in. stainless steel armored cable



GE Security

503-885-5700
888-GE-SECURITY
(437-3287)
faxback 800-483-2495
email info@gesecurity.com
www.gesecurity.com

Asia
tel 852-2907-8108
fax 852-2142-5063
Australia
tel +61-3-9259-4700
fax +61-3-9259-4799

Europe
tel +44-113-238-1668
fax +44-113-253-8121
Latin America
tel 305-267-4301
fax 305-267-4300