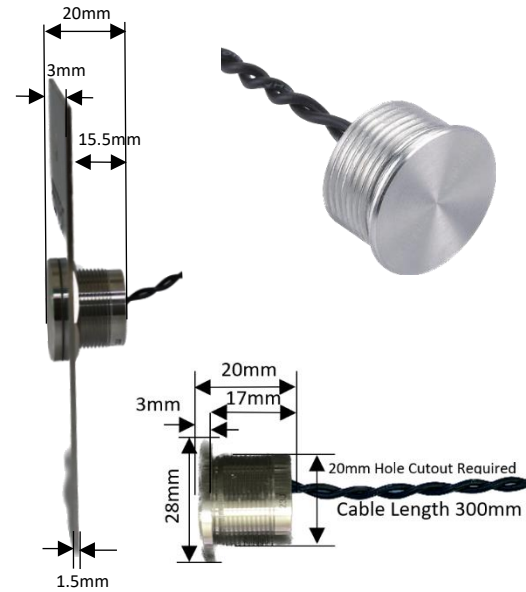
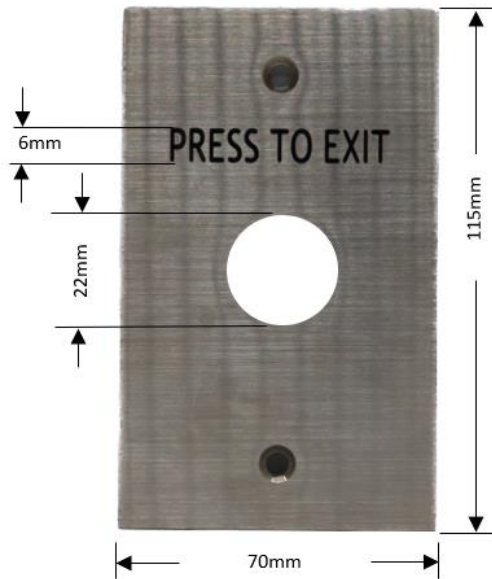


# SMART0040



## Plate Specifications



- Plate Material :** STAINLESS STEEL
- Plate Color :** SILVER
- Plate style :** FLAT
- Plate Text Printed :** "PRESS TO EXIT"
- Plate Text Color :** BLACK
- Plate Button Hole Cutout Size :** 22mm
- Plate Mounting Holes :** 2
- Plate Screw Hole Cutout Size :** 5mm
- Plate Size :** 115Hx70Wx1.5D (mm)

## Switch Specifications

- Series :** PS233 Series
- Material :** Aluminium Anodized Stainless Steel
- Component Type :** Touch Button
- Component Style :** Piezo Type
- Button Color :** SILVER
- Button Diameter:** 28 mm
- Mounting Cutout Hole Size :** 22.5 mm
- Material – Body/Housing :** Aluminium Anodized Stainless Steel
- Operator Action :** Momentary
- Cable Length :** 300mm
- Wire Gauge :** AWG26
- Cable Ends :** Bronze, Tin Plated

- Operating Force :** 2-6 N
- Contact Output:** 1x N/O (via Cable)
- IP Rating :** IP68
- Illuminated :** NO
- Tightening Torque Nominal :** 1.7 Nm
- Relative Humidity :** 50% ~ 95% RH
- Mechanical Service Life :** 50000000 cycles
- Operating Temperature :** -40° ~ 75° C
- Storage Temperature :** -40° ~ 75° C
- Illuminated :** No
- Button Size :** 28DIA x 20D (mm)