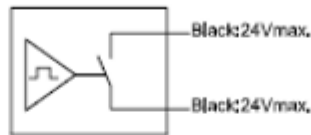
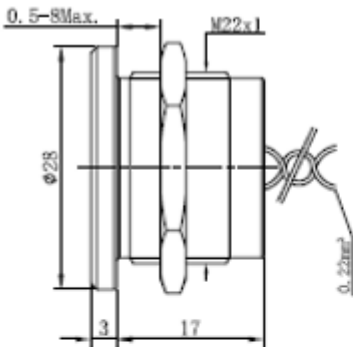
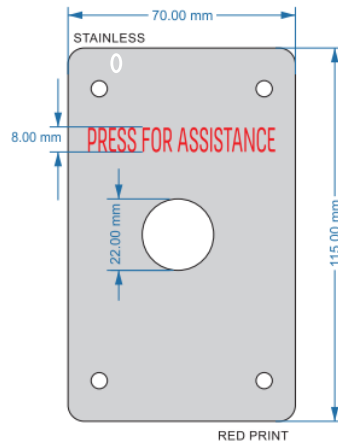
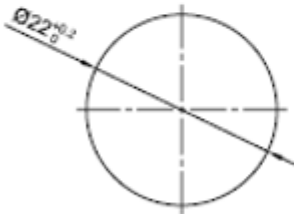


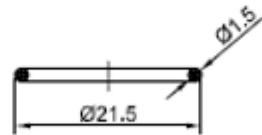
ARLSWP-6R/G



Wiring Diagram



PANEL CUTOUT
MAX,PANEL THICKNESS
8 mm



Seal Ring

Part Number: PS223P10Y ◆ 1

SPECIFICATIONS:

- 1.Switch Operation: Momentary NO (Pulse) ;
- 2.Max.Switch Rating- 200mA 24VAC/DC;
- 3.Operation Life- 50 Million cycles;
- 4.Wiring: AWG 26, Length 300mm;
- 5.IP Class: IP68/IP69K,
- 6.Operating Temperature: -40°C ~ +75°C;
- 7.Operating Force: About 2~6N.

MATERIALS:

- 1.Body: Al Alloy.