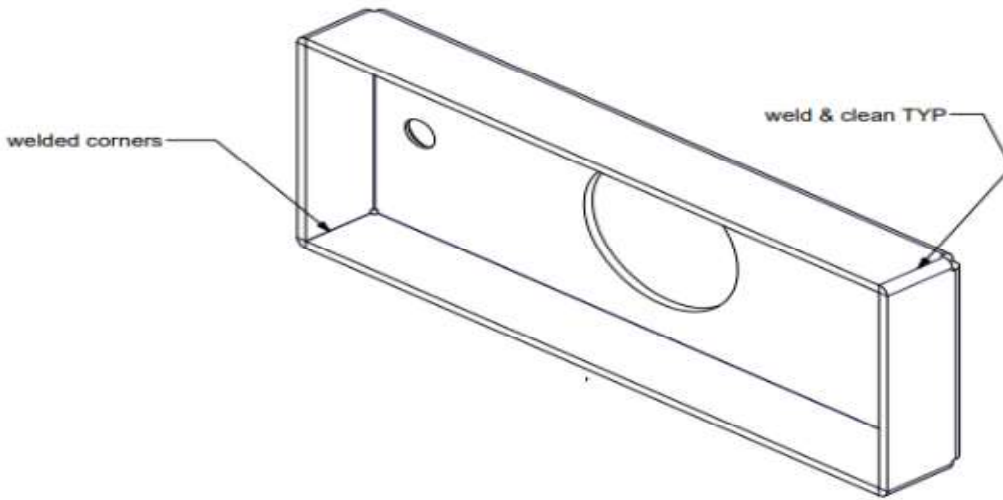
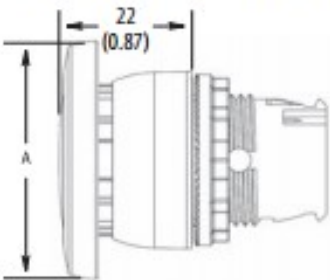


# ARLSWP-12G/B

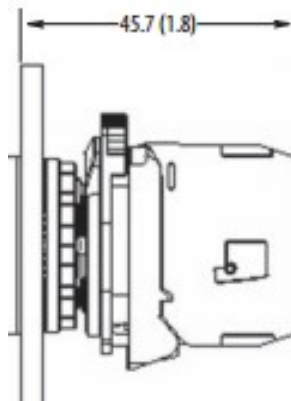


H-84.5mm W-34.5mm D-11.12mm

## Mushroom Operators (40 mm and 60 mm)



Operator	A
40 mm	39.8 (1.57)



H-84.5mm W-34.5mm D-11.12mm

**Product Series:** 800FP  
**Certifications:** UR UL CSA CCC CE RoHS  
**Shipping Approvals:** ABS (American Bureau of Shipping)  
**Component Type Pushbutton and Pilot Lights:** Mushroom  
**Colour, Operator:** Red, Green & Black  
**Diameter, Operator:** 40 mm  
**Dielectric Strength:** 2.5kV for 1 minute V AC  
**Operating Force:** 3.6 N  
**Relative Humidity, Max:** 95 %RH  
**Relative Humidity, Min:** 50 %RH  
**IP Rating:** IP65 IP66 IP69K  
**Material, Bezel:** Glass-Filled Nylon / PA6 / PA66 (Polyamide 6)  
**Standards Compliance:** NEMA ICS-5 UL 508 EN 60947-1 EN 60947-5-1 EN 60947-5-5 IEC 60947-1 ISO 13850  
**Material, Body / Housing:** Plastic material  
**Material, Operator:** Plastic material  
**Material, Spring:** Stainless Steel  
**Mounting:** 22.5mm Mounting  
**Operator Action:** Momentary  
**Operator Type:** Mushroom Head type  
**Mechanical Service Life:** 300000 cycles  
**Shock Acceleration (Max.):** 100 g  
**Shock Duration (Max.):** 11 ms  
**Operating Temperature, Max:** 70 °C max  
**Operating Temperature, Min:** -25 °C min  
**Storage Temperature, Max:** 85 °C max  
**Storage Temperature, Min:** -40 °C min  
**Tightening Torque, Max:** 0.9 Nm  
**Tightening Torque, Min:** 0.7 Nm  
**Tightening Torque, Nominal:** 1.7 Nm  
**Vibration Acceleration (Max.):** 10 m/s<sup>2</sup>  
**Vibration Displacement (Peak to Peak Max.):** 1.52 mm  
**Vibration Duration (Max.):** 180 min  
**Vibration Frequency, Operational (Max.):** 2000 Hz  
**Wire / Conductor Size (Min):** 0.75 mm<sup>2</sup> min  
**CE Marked:** Yes  
**Contact Block Included:** No  
**Coupling Plate Included:** No Y / N  
**Illuminated:** No Y / N  
**Key:** No Y / N

---

**RoHS Approved:** Yes