

SMART4366B

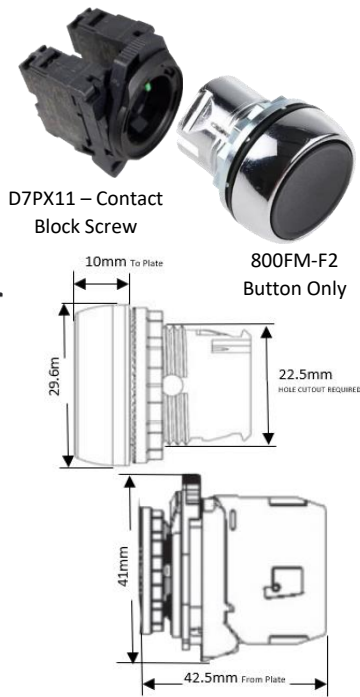
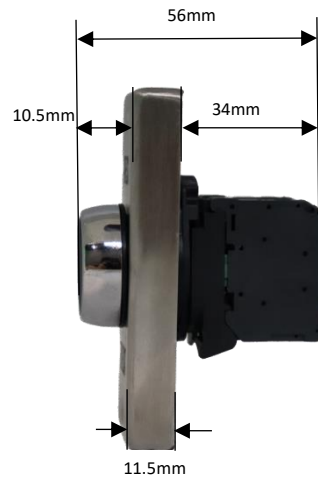
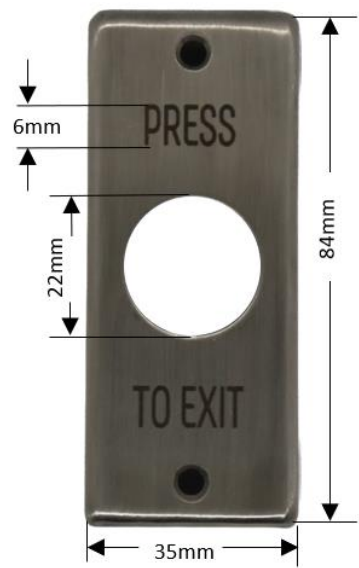


Plate Specifications

- Plate Material :** STAINLESS STEEL
- Plate Color :** SILVER
- Plate style :** BOXED MULLION/SLIM
- Plate Text Printed :** "PRESS TO EXIT"
- Plate Text Color :** BLACK
- Plate Button Hole Cutout Size :** 22mm
- Plate Mounting Holes :** 2
- Screw Hole Cutout Size :** 5mm
- Plate Size :** 84Hx35Wx11.5D (mm)

Switch Specifications

- Series :** 800FM
- Material :** Plastic
- Component Type :** Pushbutton
- Component Style :** Flush Type
- Button Color :** BLACK
- Button Diameter:** 29.6 mm
- Mounting Cutout Hole Size :** 22.5 mm
- Material – Operator :** Zinc Alloy, Die Cast, Chrome Plated
- Material – Bezel :** Zinc
- Material – Body/Housing :** Body – Plastic, Housing – Zinc
- Material – Spring :** Stainless Steel
- Operator Action :** Momentary
- Coupling Pate Included :** YES
- Contact Block Included :** YES
- IP Rating :** IP66
- Illuminated :** NO
- Tightening Torque Nominal :** 4.4 Nm

- Relative Humidity :** 50% ~ 95% RH
- Mechanical Service Life :** 10000000 cycles
- Shock Acceleration MAX :** 100 g
- Shock Duration MAX :** 11 ms
- Operating Temperature :** -25° ~ 70° C
- Storage Temperature :** -40° ~ 85° C
- Vibration Acceleration MAX :** 10 m/s²
- Vibration Displacement (Peak to Peak MAX) :** 1.52 mm
- Vibration Duration MAX :** 180 Mins
- Vibration Frequency – Operational MAX :** 2000 Hz
- Illuminated :** No
- Button Size :** 29.6DIA x 32D (mm)
- Certifications :** UR, UL, CSA, CCC, CE, RoHS
- Standards Compliance :** NEMA ICS-5, UL 508, EN 60947-1, EN 60947-5-1, EN 60947-5-5, IEC 60947-1, ISO 13850
- CE Marked :** Yes
- RoHS Approved :** Yes