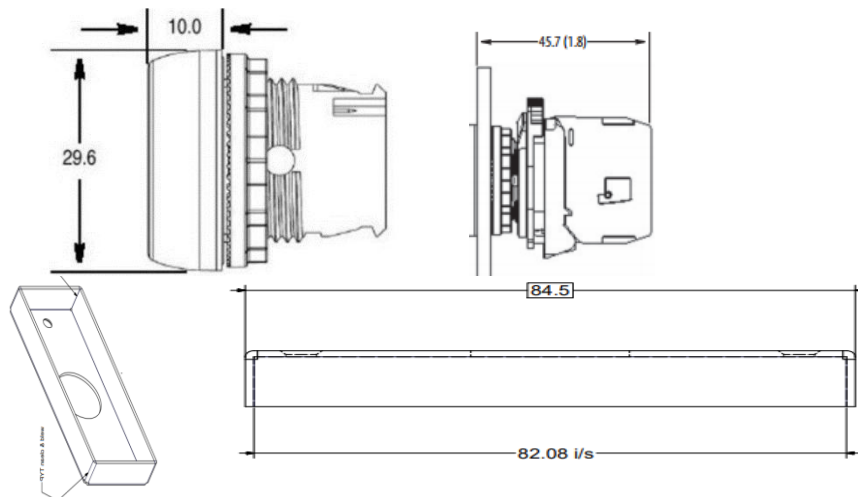


# ARLSWP-13B/R/G



**Product Series:** 800FP

**Certifications:** UR UL CSA CCC CE RoHS

**Shipping Approvals:** ABS (American Bureau of Shipping)

**Component Type Pushbutton and Pilot Lights:** Mushroom

**Colour, Operator:** Red, Green & Black

**Diameter, Operator:** 40 mm

**Dielectric Strength:** 2.5kV for 1 minute V AC

**Operating Force:** 3.6 N

**Relative Humidity, Max:** 95 %RH

**Relative Humidity, Min:** 50 %RH

**IP Rating:** IP65 IP66 IP69K

**Material, Bezel:** Glass-Filled Nylon / PA6 / PA66 (Polyamide 6)

**Standards Compliance:** NEMA ICS-5 UL 508 EN 60947-1 EN 60947-5-1 EN 60947-5-5 IEC 60947-1 ISO 13850

**Material, Body / Housing:** Plastic material

**Material, Operator:** Plastic material

**Material, Spring:** Stainless Steel

**Mounting:** 22.5mm Mounting

**Operator Action:** Momentary

**Operator Type:** Mushroom Head type

**Mechanical Service Life:** 300000 cycles

**Shock Acceleration (Max.):** 100 g

**Shock Duration (Max.):** 11 ms

**Operating Temperature, Max:** 70 °C max

**Operating Temperature, Min:** -25 °C min

**Storage Temperature, Max:** 85 °C max

**Storage Temperature, Min:** -40 °C min

**Tightening Torque, Max:** 0.9 Nm

**Tightening Torque, Min:** 0.7 Nm

**Tightening Torque, Nominal:** 1.7 Nm

**Vibration Acceleration (Max.):** 10 m/s<sup>2</sup>

**Vibration Displacement (Peak to Peak Max.):** 1.52 mm

**Vibration Duration (Max.):** 180 min

**Vibration Frequency, Operational (Max.):** 2000 Hz

**Wire / Conductor Size (Min):** 0.75 mm<sup>2</sup> min

**CE Marked:** Yes

**Contact Block Included:** No

**Coupling Plate Included:** No Y / N

**Illuminated:** No Y / N

**Key:** No Y / N

**RoHS Approved:** Yes