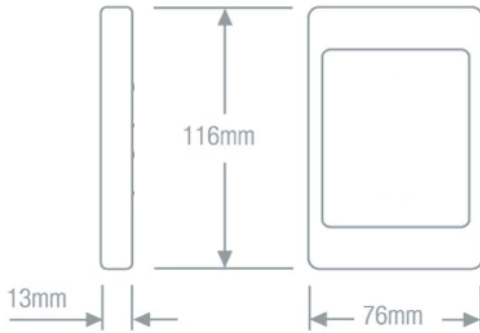
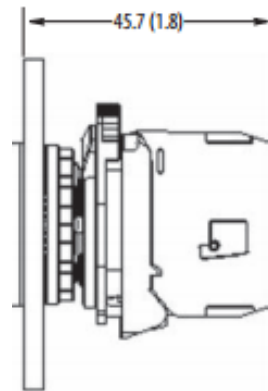


ARLSWP-20



40 mm Key Release Mushroom
Cat. No. 800FP-MK44



Product Series: 800FP

Certifications: UR UL CSA CCC CE RoHS

Shipping Approvals: ABS (American Bureau of Shipping)

Component Type Pushbutton and Pilot Lights: E-Stop

Colour, Operator: Red colour

Diameter, Operator: 40 mm

Dielectric Strength: 2.5kV for 1 minute V AC

Operating Force: 3.6 N

Relative Humidity, Max: 95 %RH

Relative Humidity, Min: 50 %RH

IP Rating: IP65 IP66 IP69K

Material, Bezel: Glass-Filled Nylon / PA6 / PA66 (Polvamide 6)

Standards Compliance: NEMA ICS-5 UL 508 EN 60947-1 EN 60947-5-1 EN 60947-5-5 IEC 60947-1 ISO 13850

Material, Body / Housing: Plastic material

Material, Operator: Plastic material

Material, Spring: Stainless Steel

Mounting: 22.5mm Mounting

Operator Action: Mushroom Key Release

Operator Type: Mushroom Key Release

Mechanical Service Life: 300000 cycles

Shock Acceleration (Max.): 100 g

Shock Duration (Max.): 11 ms

Operating Temperature, Max: 70 °C max

Operating Temperature, Min: -25 °C min

Storage Temperature, Max: 85 °C max

Storage Temperature, Min: -40 °C min

Tightening Torque, Max: 0.9 Nm

Tightening Torque, Min: 0.7 Nm

Tightening Torque, Nominal: 1.7 Nm

Vibration Acceleration (Max.): 10 m/s²

Vibration Displacement (Peak to Peak Max.): 1.52 mm

Vibration Duration (Max.): 180 min

Vibration Frequency, Operational (Max.): 2000 Hz

Wire / Conductor Size (Min): 0.75 mm² min

CE Marked: Yes

Contact Block Included: No

Coupling Plate Included: No Y / N

Illuminated: No Y / N

Key: No Y / N

RoHS Approved: Yes

Mushroom Key Release Operator (40 mm)

