

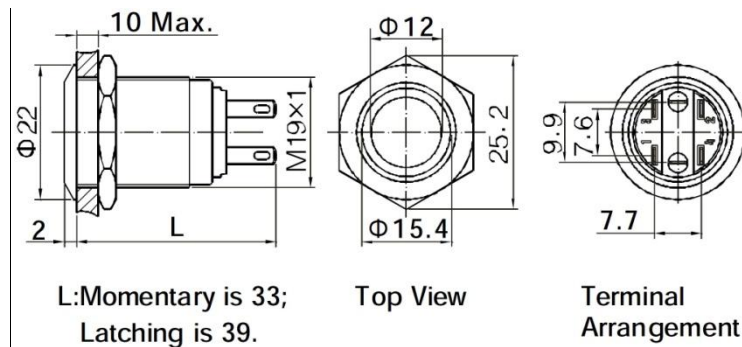
meiker™

GQ1911R SERIES

Illuminated Stainless Steel Small Pushbutton Switch

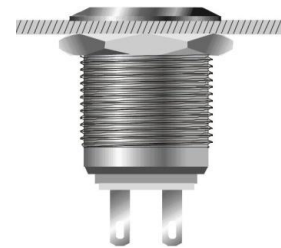


- Illuminated stainless steel switch
- Vandal resistant
- LED ring illumination
- Waterproof IP65 rated
- Momentary or latching switch
- 1xN.O. + 1xN.C. contacts
- Small 19 mm panel mounting hole
- 2.8mm terminals

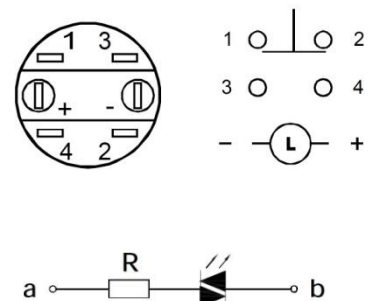


SPECIFICATION

Front Shape	Flat Round	
Termination	Soldering(Pin Terminal)/2.8mm tabs	
Switching	NO.1	
Max. Current Rating	5A/250VAC	
Contact Resistance	$\leq 50\text{m}\Omega$	
Insulation Resistance	$\geq 1000\text{M}\Omega$	
Dielectric Strength	2000VAC	
Operating Temp.	- 20°C~ + 70°C	
Mechanical life	1,000,000 cycles	
Electrical life	50,000 cycles	
Contact material	Silver Alloy	
Panel Thickness	1~10mm	
Torque	5~14Nm	
Operation Pressure	5.5N	
IP Degree	IP65	
Material	Button	Stainless Steel
	Body	Stainless Steel
	Base	PBT
RoHS Status	RoHS Compliant	
LED Spec.	Type	Ring Illuminated(LED)
	Voltage	3.5V / 6V / 12V / 24V / 110V / 220V
	Colour	Red/Green/Yellow/Orange/Blue/White
	Life	40,000 hours



Switching Operation



Customised options available: laser etching symbols and text, termination leads and looms, special LED voltage, dual-colour, etc

GQ1911R SERIES cont.

HOW TO ORDER

GQ 1 2 3 - 4 - 5 - 6

GQ: anti-vandal switch series

1 = mounting size diameter, replace with

- 16
- 19
- 22
- 25

2 = contacts, replace with

- 11 1 N/O + 1 N/C
- 22 2 N/O + 2 N/C22

3 = illumination style, replace with

- (blank) non-illuminated
- R ring-illuminated LED

4 = switch action, replace with

- (blank) momentary
- ALT latching / alternate

5 = illumination colour, replace with

- BU blue LED
- GN green LED
- RD red LED
- WT white LED
- YL yellow LED

6 = illumination voltage, replace with

- 6V AC/DC6V
- 12V AC/DC12V
- 24V AC/DC24V
- 110V AC/DC110V
- 240V AC/DC240V

PART NUMBER	ACTION	LED COLOUR	LED VOLTAGE
GQ1911R-BU-12V	Momentary	Blue	AC/DC12V
GQ1911R-BU-24V			AC/DC24V
GQ1911R-BU-240V			AC/DC240V
GQ1911R-GN-12V		Green	AC/DC12V
GQ1911R-GN-24V			AC/DC24V
GQ1911R-GN-240V			AC/DC240V
GQ1911R-RD-12V		Red	AC/DC12V
GQ1911R-RD-24V			AC/DC24V
GQ1911R-RD-240V			AC/DC240V
GQ1911R-WT-12V		White	AC/DC12V
GQ1911R-WT-24V			AC/DC24V
GQ1911R-WT-240V			AC/DC240V
GQ1911R-YL-12V		Yellow	AC/DC12V
GQ1911R-YL-24V			AC/DC24V
GQ1911R-YL-240V			AC/DC240V
GQ1911R-ALT-BU-12V	Latching	Blue	AC/DC12V
GQ1911R-ALT-BU-24V			AC/DC24V
GQ1911R-ALT-BU-240V			AC/DC240V
GQ1911R-ALT-GN-12V		Green	AC/DC12V
GQ1911R-ALT-GN-24V			AC/DC24V
GQ1911R-ALT-GN-240V			AC/DC240V
GQ1911R-ALT-RD-12V		Red	AC/DC12V
GQ1911R-ALT-RD-24V			AC/DC24V
GQ1911R-ALT-RD-240V			AC/DC240V
GQ1911R-ALT-WT-12V		White	AC/DC12V
GQ1911R-ALT-WT-24V			AC/DC24V
GQ1911R-ALT-WT-240V			AC/DC240V
GQ1911R-ALT-YL-12V		Yellow	AC/DC12V
GQ1911R-ALT-YL-24V			AC/DC24V
GQ1911R-ALT-YL-240V			AC/DC240V

Notes:

1. GQ19R switch also available with 2N/O+2N/C contact configuration, see separate GQ1922R datasheet.
2. Illumination LED contains internal resistor circuit, no external resistors required when using at rated voltage.
3. Illumination LED can be operated with AC or DC voltage, and either LED terminal can be anode or cathode.
4. LED terminals are independent of switch circuit, and can use the switch or peripheral circuit to control the LED status.