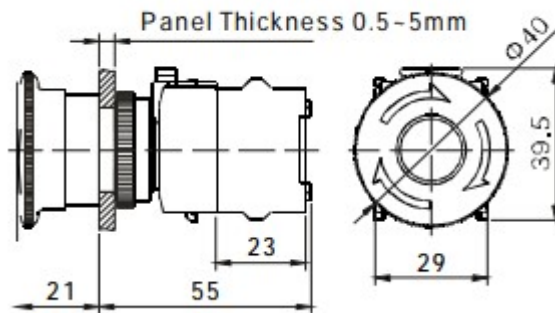
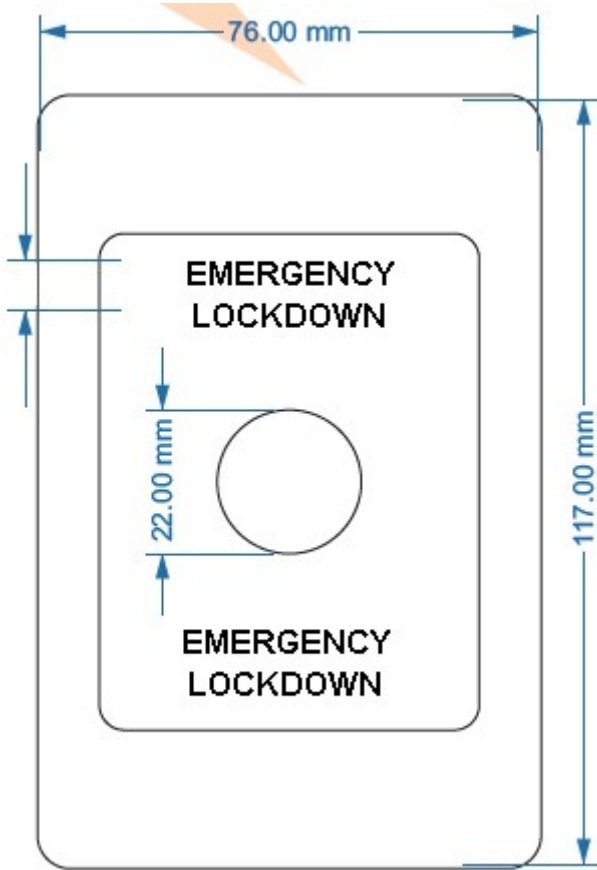


ARLSWP-46G/R



Please Note: Font on Actual Product may change

Specification

Operating Temperature		-25°C ~ +55°C(no freezing) keep the air flowing around the illuminated pushbutton
Operating Humidity		45 ~ 85%RH(no condensation)
Contact Resistance		≤50mΩ
Insulation Resistance		≥100MΩ
Dielectric Strength		3000 V, AC 50Hz
Vibration Resistance		50Hz,Amplitude 1.0mmp-p
Shock Resistance		≥10g
Life	Mechanical	Momentary type:≥ 1,000,000 times; Alternate type and selector type:≥ 500,000 times Key-lock type and emergency type:≥ 200,000times
	Electrical	≥50,000 times
Terminal		Thread connection, diameter of welded wire: 2×1.5mm maxConnecting link:6.3× 0.8mm
Operating Force		800gf-2200gf,according to the quantity of switch units