

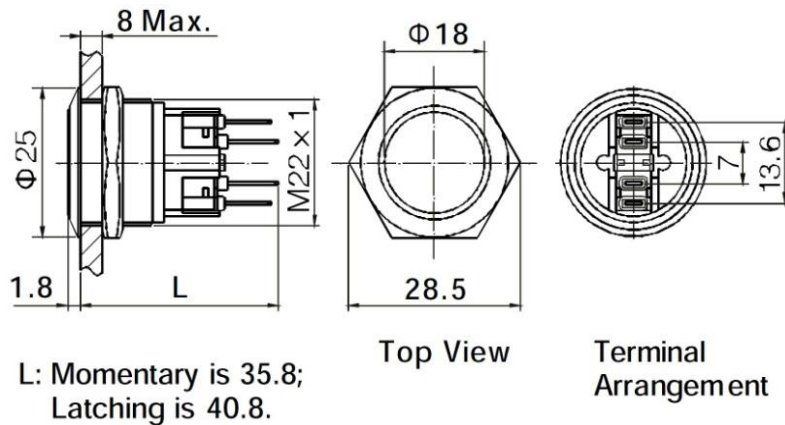
GQ22-11 SERIES

Stainless Steel Pushbutton Switch



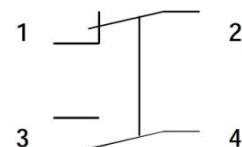
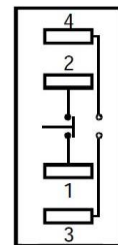
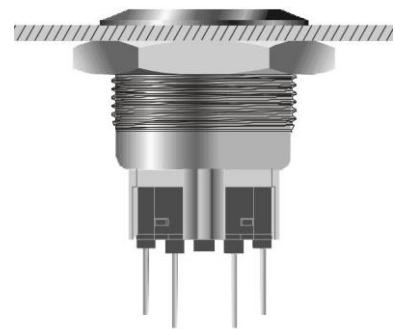
- Stainless steel switch
- Vandal resistant
- Waterproof IP65 rated
- Momentary or latching switch
- 1xN.O. + 1xN.C. contacts
- 22 mm panel mounting hole
- 2.8mm terminals

| PART NUMBER | DESCRIPTION |
|-------------|-----------------------------|
| GQ22-11 | Momentary Pushbutton Switch |
| GQ22-11ALT | Latching Pushbutton Switch |



SPECIFICATION

| | | |
|-----------------------|------------------------------------|-----------------|
| Front Shape | Flat Round | |
| Termination | Solder/Push-on 2.8mm Terminal Tabs | |
| Switching | 1 x N/O + 1 x N/C | |
| Max. Current Rating | 5A / 250VAC | |
| Contact Resistance | ≤50mΩ | |
| Insulation Resistance | ≥1000MΩ | |
| Dielectric Strength | 2000VAC | |
| Operating Temp. | - 20°C~ + 55°C | |
| Mechanical life | 1,000,000 cycles | |
| Electrical life | 50,000 cycles | |
| Contact material | Silver Alloy | |
| Panel Thickness | 1~6mm | |
| Torque | 5~14Nm | |
| Operation Pressure | 5.5N | |
| IP Rating | IP65 | |
| Material | Button | Stainless Steel |
| | Body | Stainless Steel |
| | Base | PA |
| RoHS Status | RoHS Compliant | |



Customised options available: laser etching symbols and text, termination leads and looms