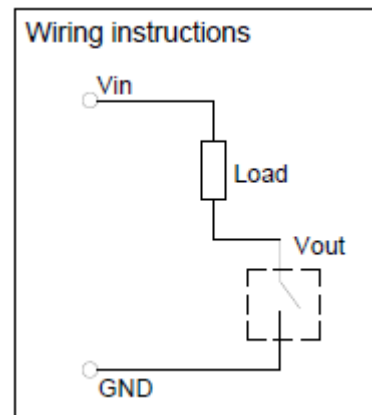
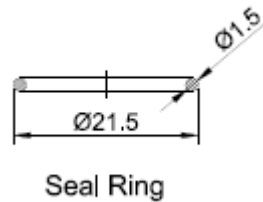
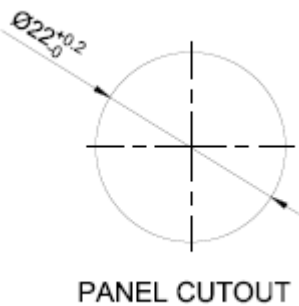
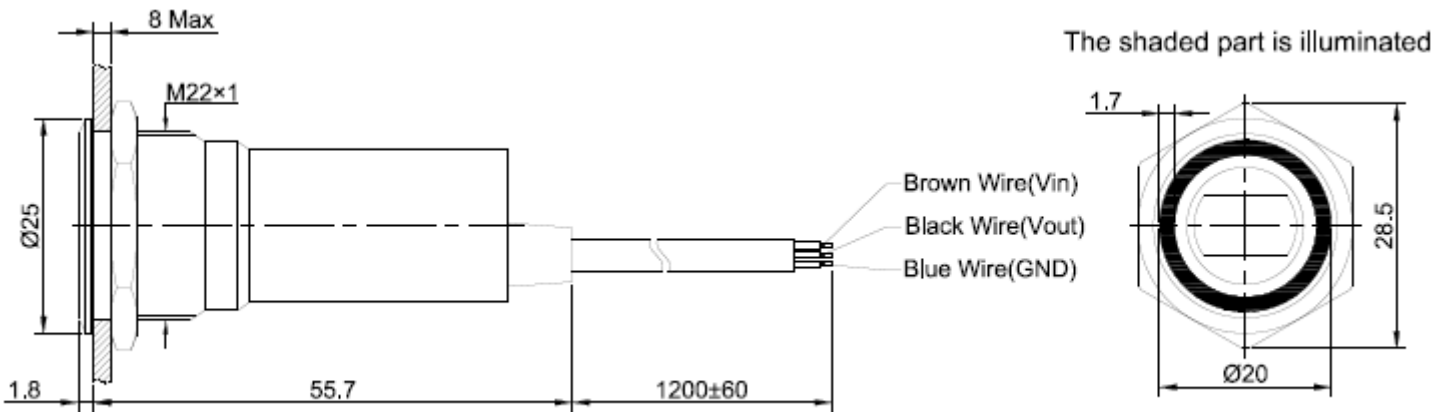
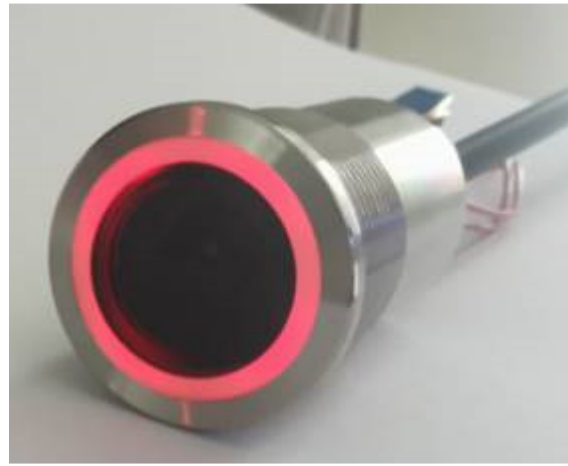


# ARLCLSW-22-01RG24V

## Contactless Sensor Switch



### SPECIFICATIONS:

- 1.Switch Rating: DC6~24V/300mA.
- 2.Life:  $\geq 1,000,000$  cycles.
- 3.Reaction Distance: 2~15cm.
- 4.Operation mode: NO Momentary.
- 5.Insulation Resistance:  $\geq 1,000M\Omega$ .
- 6.Dielectric Strength: 1,500V, RMS 50Hz, 1min.
- 7.Operating Temperature:  $-15^{\circ}C \sim +55^{\circ}C$  (No Freezing).
- 10.Torque: About 0.6Nm max.applied to nut.
- 11.Protection degree: IP65.
- 12.Terminal Type: Sheltered cable.

### MATERIALS:

- 1.Head: PMMA.
- 2.Body: Stainless Steel.