

- sensitive PIR sensor
- equipped with a lens that is insensitive to animals
- adjustable sensitivity of the smartphone response
- secure two-way radio communication with MAKS PRO
- 868,0 ... 868.6MHz, several channels for redundancy, range - up to 2000 m
- CR123 battery
- up to 5 years of operation on one battery
- easy and convenient installation



Our digital passive infrared radio channel detector is equipped with a PIR-sensor and designed for the security of any closed residential and industrial premises.

When the thermal balance of the environment changes, the detector sends an intrusion signal to the MAKS PRO alarm system center.

For indoor installation.

## Inensitive to animals

The detector has the special lens and is designed for use in areas where pets (cats, dogs, etc.) can be present.

The device is insensitive to the movement of animals weighing up to 20 kg.

## Radio communication

The detector transceiver operates in several channels of 868.0 ... 868.6 MHz band for redundancy.

Secure two-way radio communication.

Distance - up to 2000 m in the open space.

Three grades of power, maximum - up to 20 mW.

## Setting

The sensor operates only with MAKS PRO wireless security system center, connection to other systems is not provided.

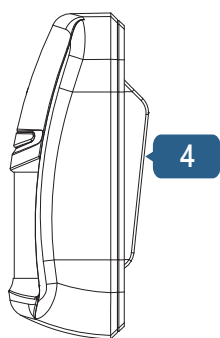
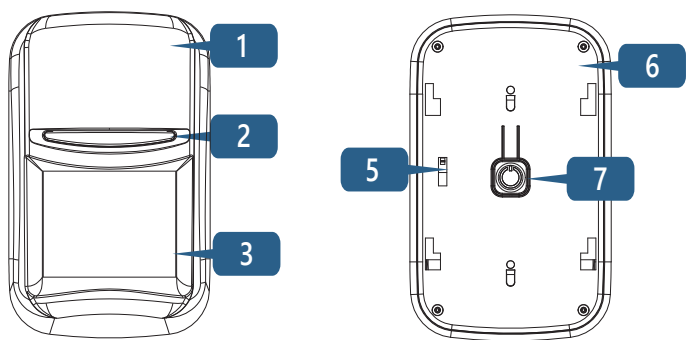
The sensor is connected to the security center and is configured using the MAKS SETUP mobile application.



## Characteristics

Maximum working range	12 m
Detector sensitivity (at 3 m)	at least 0.3 ... 3.0 m/s
ISM wireless interface, up to 2000 m	868.0... 868.6 MHz
secure two-way communication	key - 256 bits
Power (Lithium battery included)	CR123A 3V battery
power consumption in standby	no more than 10 $\mu$ A
transmission power consumption	no more than 20 mA
service life of battery	up to 5 years
Radiated electromagnetic field immunity	5 V/m
Electrostatic discharge resistance	8 kV
Optical noise immunity	not less than 6500 Lux
Operating temperature range	-10°C to +55°C
Case color	white, black
Detector dimensions	90 x 60 x 34.35 mm
with a wall bracket	90 x 60 x 41.6 mm
with an angle bracket	90 x 60 x 48.84 mm
Weight	130 grams

## Functional parts of the device



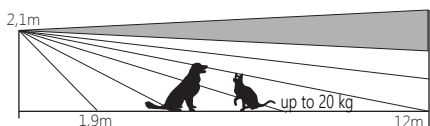
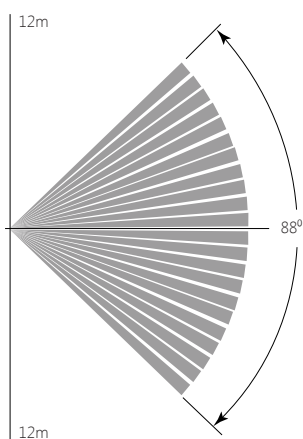
1. Detector case
2. Light indicator of the operation modes
3. PIR element lens
4. Bracket for detector mounting
5. Tamper contact
6. Case back cover
7. Power button

## Selecting the installation location

Carefully select the installation location of the MAKS PIR detector, taking into account the direction of the lens and the presence of obstacles that may limit the view of the detector.

When installing the detector, make sure that the area of intrusion detection is within the maximum coverage of the detector and the possible direction of intruder's movement is perpendicular to the installation axis.

For the maximum coverage, place the detector at a height of 2.1 meters from floor level.



The device should not be placed:

1. Outdoors or in areas with unacceptable humidity and temperature
2. In places with a high level of radio interference
3. Near objects that can cause radio signal attenuation or shielding (metal, mirror, etc.)
4. In a place where the lens is exposed to the direct sunlight.
5. In front of objects with quickly changing temperature or in places with fast air circulation.
6. Facing any moving objects with human body temperature
7. At a distance of less than 1 m from the security center

## Battery Replacement

1. Remove the device from the bracket by pushing it upwards.
2. Unscrew and remove the case back cover **6**
3. Replace the battery and reassemble the device

## Installation and connection

Before installing the MAKS PIR, register it in the MAKS PRO and test the detector signal strength using the MAKS SETUP application.

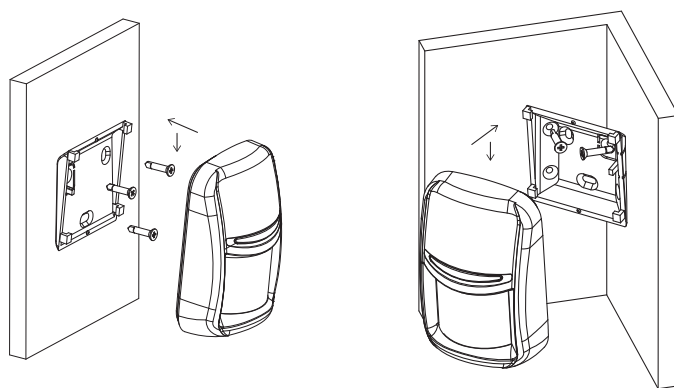
*The detector is supplied with two brackets to place the device on a flat surface or in a corner of the room.*

We recommend to install the device in the following order:

1. Selecting the installation location with the best signal
2. Mounting the bracket
3. Detector Installation

## Detector Installation

1. Mount the bracket **4** using the supplied screws and wall plugs.



2. Place the device on bracket **4** and slide it down to fix it and lock the tamper contact **5**. Flashes on indicator **2** will confirm that the tamper is locked

## Indication in communication test mode

**Excellent connection** - LED indicator flashes green

**Satisfactory connection** - LED indicator flashes yellow

**Poor connection** - LED indicator flashes red

**No connection** - LED indicator flashes red quickly

*In test mode, the unit's radio transmitter operates at medium power.*

## Switching on and off

Press button **7** to switch on the device - the light indicator will be on. If the device is registered in MAKS PRO, it switches to standby mode. If the device has not been registered, it will go into sleep mode after 30 seconds.

To turn off the device, press and hold button **7** for 5 seconds.

## Registration and setup

1. Place the detector at a distance of no more than 2 m from the MAKS PRO security center. Registration is run at a minimal possible power to avoid the influence of neighboring systems that can be being configured nearby.
2. Start the MAKS SETUP application
3. Follow the application instructions to connect to the MAKS PRO and start the registration of MAKS wireless devices
4. Turn on the MAKS PIR, after 10-20 seconds it will be registered
5. Set up a new device in your mobile application