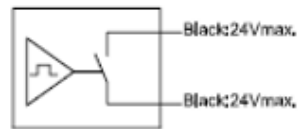
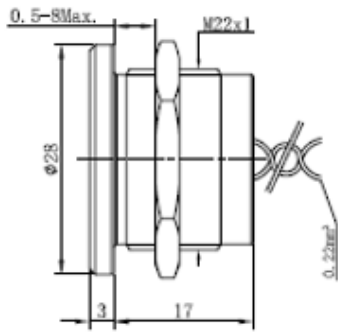
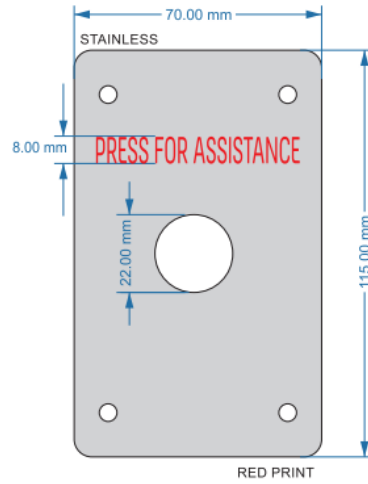
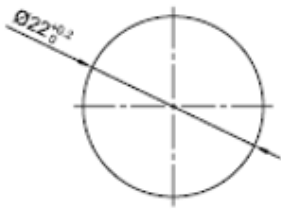


ARLSWP-50RNC-PFA

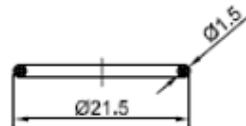
Piezo Switch with Normally closed contacts mounted on custodial stainless steel plate engraved Press for Assistance in red



Wiring Diagram



PANEL CUTOUT
MAX. PANEL THICKNESS
8 mm



Seal Ring

SPECIFICATIONS:

1. Switch Operation: Momentary (Pulse);
2. Max. Switch Rating: 200mA 24VAC/DC;
3. Operation Life: 50 Million cycles;
4. Wiring: AWG 26, Length 300mm;
5. IP Class: IP68/IP69K,
6. Operating Temperature: -40°C ~ +75°C;
7. Operating Force: About 2~6N.

MATERIALS:

1. Body: Al Alloy.