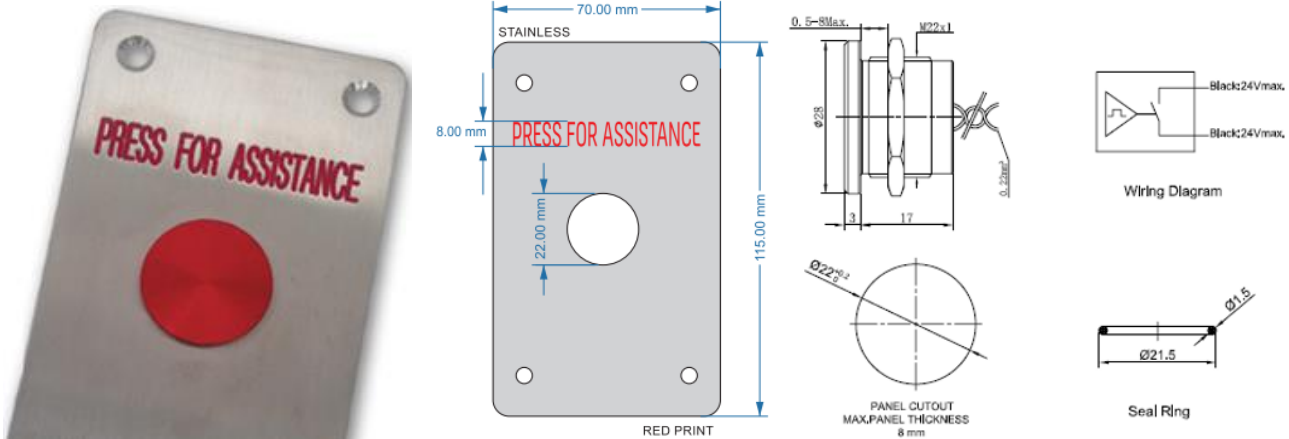


ARLSWP-78

S/S Plate 22mm Switch hole, 4 Screw holes 70 x 115. Eng "PRESS FOR ASSISTANCE" with Piezo Switch 22mm Red Finish N/O. Short Press, Longer action time, maintain action if kept pressing.



Switch: PS223P10T1YRD1

Plate: ARLSWP7011522F4HPFA

SPECIFICATIONS:

- 1.Switch Operation: Momentary NO (Pulse) ;
- 2.Max.Switch Rating- 200mA 24VAC/DC;
- 3.Operation Life- 50 Million cycles;
- 4.Wiring: AWG 26, Length 300mm;
- 5.IP Class: IP68/IP69K,
- 6.Operating Temperature: -40℃~ +75℃;
- 7.Operating Force: About 2~6N.

MATERIALS:

- 1.Body: Al Alloy.

Option: Available in Green Color