

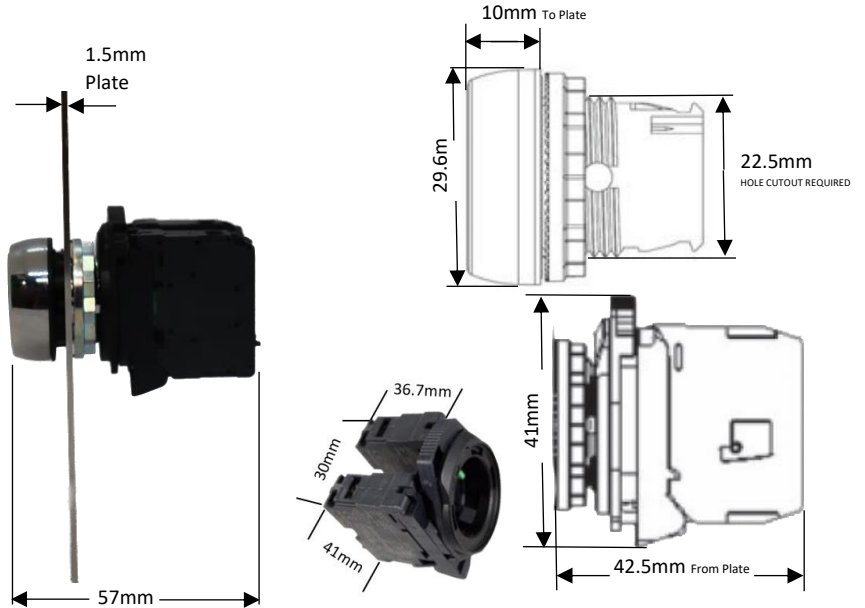
# SMART9525



D7PX11 – Contact Block Screw  
Sold Separately



800FM-F5 – Button Only



**Series :** 800FM

**Material :** Plastic

**Component Type :** Pushbutton

**Component Style :** Flush Type

**Button Color :** YELLOW

**Button Diameter:** 29.6 mm

**Mounting Cutout Hole Size :** 22.5 mm

**Material – Operator :** Zinc Alloy, Die Cast, Chrome Plated

**Material – Bezel :** Zinc

**Material – Body/Housing :** Body – Plastic, Housing – Zinc

**Material – Spring :** Stainless Steel

**Operator Action :** Momentary

**Coupling Pate Included :** NO (Requires D7PX11)

**Contact Block Included :** NO (Requires D7PX11)

**IP Rating :** IP66

**Illuminated :** NO

**Tightening Torque Nominal :** 4.4 Nm

**Relative Humidity :** 50% ~ 95% RH

**Mechanical Service Life :** 10000000 cycles

**Shock Acceleration MAX :** 100 g

**Shock Duration MAX :** 11 ms

**Operating Temperature :** -25° ~ 70° C

**Storage Temperature :** -40° ~ 85° C

**Vibration Acceleration MAX :** 10 m/s<sup>2</sup>

**Vibration Displacement (Peak to Peak MAX) :** 1.52 mm

**Vibration Duration MAX :** 180 Mins

**Vibration Frequency – Operational MAX :** 2000 Hz

**Illuminated :** No

**Button Size :** 29.6DIA x 32D (mm)

**Certifications :** UR, UL, CSA, CCC, CE, RoHS

**Standards Compliance :** NEMA ICS-5, UL 508, EN 60947-1, EN 60947-5-1, EN 60947-5-5, IEC 60947-1, ISO 13850

**CE Marked :** Yes

**RoHS Approved :** Yes