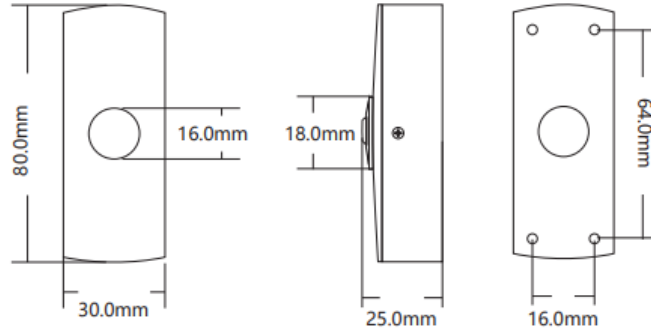


ARLSWP-87

Surface Mount Button 12V 1NO 80mm x 30mm x 25mm



► Dimensions



- NO/COM
- Zinc Alloy Material, surface mount.
- Optional - With lamp

► Wiring diagram

► Product Parameter

Model	ML-909
Size(mm)	80L*30W*25H
Weight(KG)	0.11
Power Supply	DC12V
Output Contact	NO/COM
Material	Zinc Alloy
Panel logo	Customizable
Mechanical Life	500,000 Tested aging test qualified
Operating Temp	-20°C~+55°C(-4-131F)
Operating humidity	0-95% (RH)
Package Quantity	1 PCS/box, 200 PCS/ctn.

