

# ARLINP-3

LED indicator 24V (Red/Green/White/Blue) mounted on DURESS UV Printed Plastic plate:

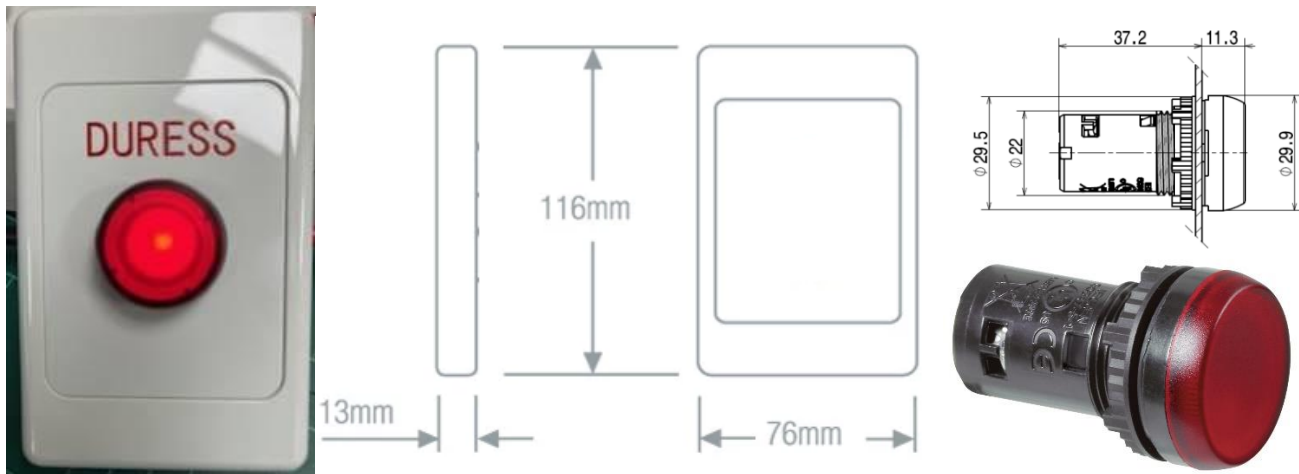


Plate: PD5020DURESS + Indicator: BACO L20SC10L

## Operating voltage :

- 24 V AC/DC (+/- 10%)
- 130 V AC/DC\* (+/- 10%)
- 230 V AC/DC\* (+/- 10%)

\*Declarative rating

## Terminals :

- Screw terminals unpolarized

## Tightening torque for terminals :

- Recommended 1.2N.m.

## Consumption :

- 24V : 4.6mA
- 130V : 5.2mA
- 230V : 4.6mA

## Lifetime at rated supply voltage :

- Red: 100 000 hours at 25°C
- Others colours: 50 000 hours at 25°C

## Insulation voltage :

- 300 V

## Pollution degree :

- 3

## Tightening torque for locking ring :

- Recommended 3 N.m. or tightened with fixing tool to hand tight after pressure point plus another half turn

## Electrical insulation :

- . Class II according to IEC 60947-5-1

## Operating temperature :

- . minimum : -25°C maximum : +70°C

## Storage Temperature :

- . minimum : -40°C maximum : +70°C