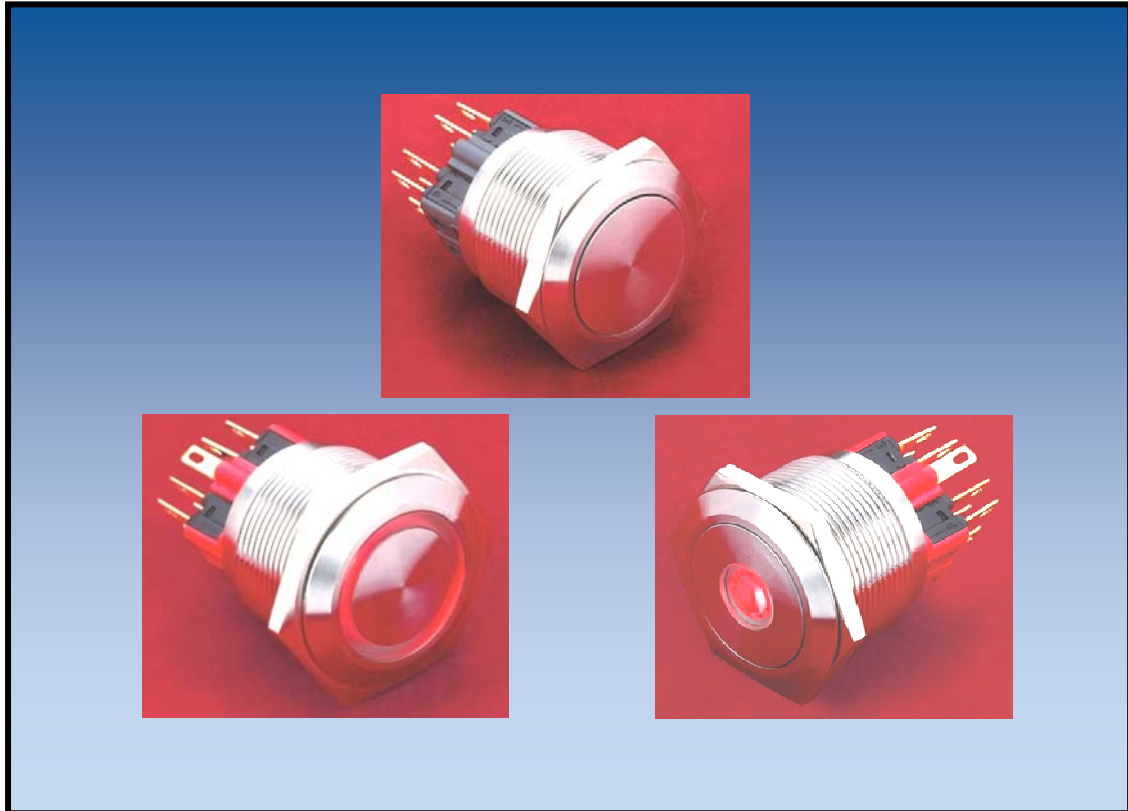
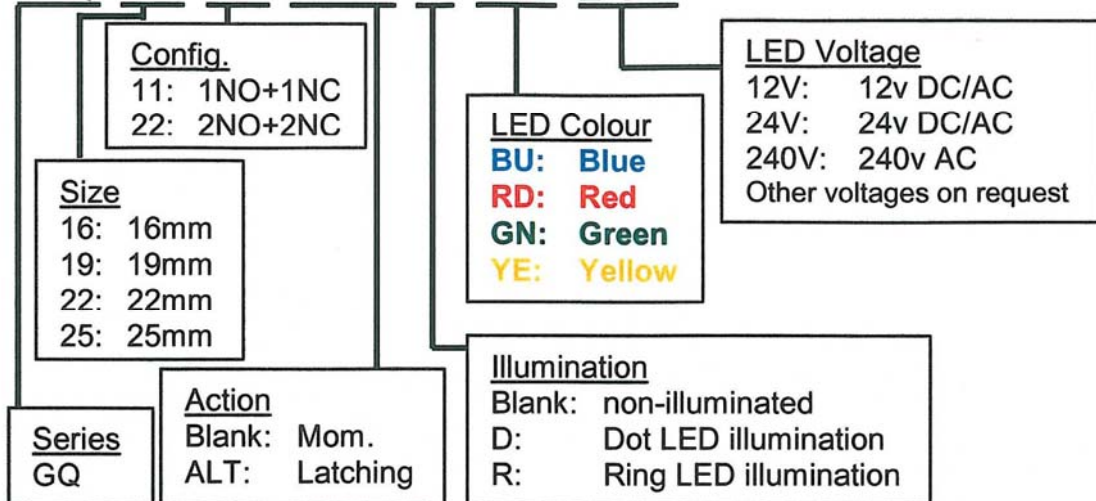


GQ SERIES STAINLESS STEEL

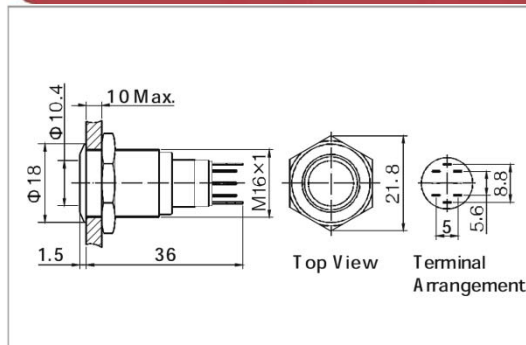


Part Number:

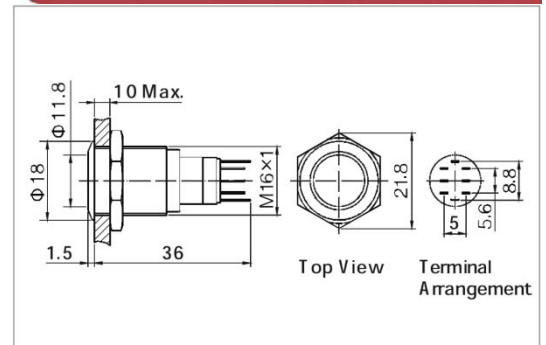
GQ 22-11 ALT R-GN-24V



GQ16 SERIES



GQ16-11



GQ1611R

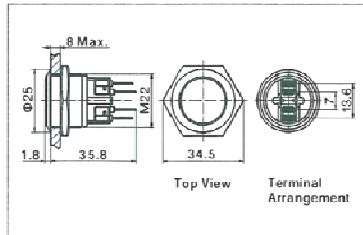
Terminal Type	
Switching	
Max. Switch Rating	
Contact Resistance	
Insulation Resistance	
Dielectric Intensity	
Operating Temp	
Mechanical Life	
Electrical Life	
Panel Thickness	
Torque	
Operation Pressure	
Operation Travel	
IP Degree	
Material	Contact
	Button
	Body
	Base
	RoHS
LED	Type
	Rated Voltage
Spec.	Color
	Life

Pin in Terminal(1.8×0.4mm)
C(single- break fast- motion changeover contact)
I th: 3A U i: 250VAC
≤ 50mΩ
≥ 1000MΩ
2000VAC
- 20°C ~ + 55°C
200,000cycles
50,000 cycles
1 ~ 10mm
5 ~ 14Nm
2.5~ 4N
About 2.8mm
IP40/IP67,IK09
Silver Alloy
Stainless Steel/Nickel Plated Brass
Stainless Steel/Nickel Plated Brass
PBT
Made to order
Without Lamp

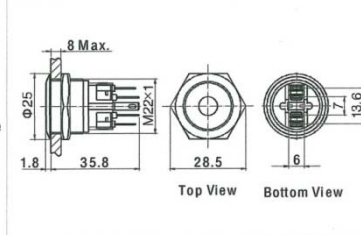
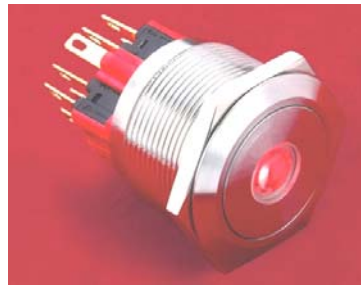
Pin Terminal(1.8×0.4mm)
C(single- break fast- motion changeover contact)
I th: 3A U i: 250VAC
≤ 50mΩ
≥ 1000MΩ
2000VAC
- 20°C ~ + 55°C
200,000 cycles
50,000 cycles
1 ~ 10mm
5 ~ 14Nm
2.5~ 4N
About 2.8mm
IP40/IP67,IK09
Silver Alloy
Stainless Steel/Nickel Plated Brass
Stainless Steel/Nickel Plated Brass
PBT
Made to order
Dot Illuminated (LED)
6V / 12V / 24V / 110V / 220V
R G Y O B W
40000 hours

GO22 SERIES

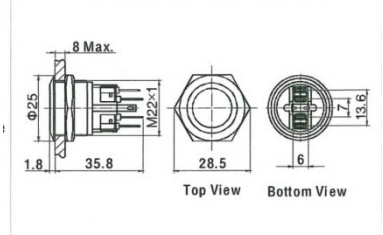
GQ22-11



GQ2211D

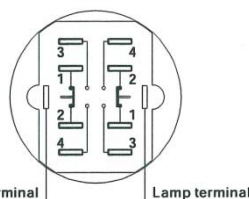


GQ2211R

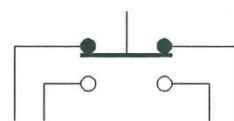


Specification		GQ22-11	GQ2211D	GQ2211R
The Front Shape		Flat Round	Flat Round	Flat Round
Terminal Type		Pin Terminal(2.8 × 0.5mm)	Pin Terminal(2.8 × 0.5mm)	Pin Terminal(2.8 × 0.5mm)
Switching		No.2	No.2	No.2
Max.Switch Rating		5A/250VAC	5A/250VAC	5A/250VAC
Contact Resistance		≤50mΩ	≤50mΩ	≤50mΩ
Insulation Resistance		≥1000MΩ	≥1000MΩ	≥1000MΩ
Dielectric Strength		2000VAC	2000VAC	2000VAC
Operation Temp.		-20°C ~ +70°C	-20°C ~ +70°C	-20°C ~ +70°C
Mechanical Life		1,000,000cycles	1,000,000cycles	1,000,000cycles
Electrical Life		50,000 cycles	50,000 cycles	50,000 cycles
Contact Material		Silver Alloy	Silver Alloy	Silver Alloy
Panel Thickness		1 ~ 8mm	1 ~ 8mm	1 ~ 8mm
Torque		5 ~ 14Nm	5 ~ 14Nm	5 ~ 14Nm
Operation Pressure		3 ~ 8N	3 ~ 8N	3 ~ 8N
IP Degree		IP65	IP65	IP65
Material	Button	Stainless Steel	Stainless Steel	Stainless Steel
	Body	Stainless Steel	Stainless Steel	Stainless Steel
LED Spec.	Base	PA	PA	PA
	RoHS	Made to order	Made to order	Made to order
	Type	-	Dot Illuminated(LED)	Ring Illuminated(LED)
	Rated Voltage	-	6V / 12V / 24V / 110V / 220V	6V / 12V / 24V / 110V / 220V
	Color	-	R G Y O B W	R G Y O B W
Life	-	40,000 hours	40,000 hours	

Terminal Arrangement

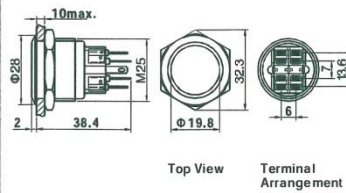


Switching Operation

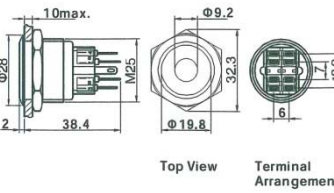
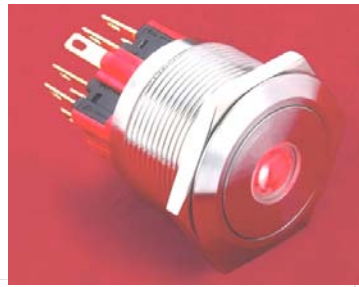


GQ25 SERIES

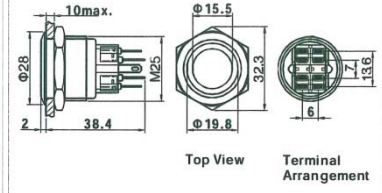
GQ25-11



GQ2511D

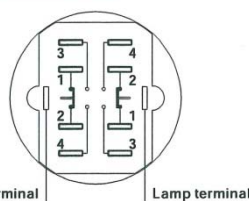


GQ2511R



Specification		GQ25-11	GQ2511D	GQ2511R
The Front Shape		Flat Round	Flat Round	Flat Round
Terminal Type		Pin Terminal(2.8×0.5mm)	Pin Terminal(2.8×0.5mm)	Pin Terminal(2.8×0.5mm)
Switching		No.2	No.2	No.2
Max. Switch Rating		5A/250VAC	5A/250VAC	5A/250VAC
Contact Resistance		≤ 50mΩ	≤ 50mΩ	≤ 50mΩ
Insulation Resistance		≥ 1000MΩ	≥ 1000MΩ	≥ 1000MΩ
Dielectric Strength		2000VAC	2000VAC	2000VAC
Operation Temp.		-20°C ~ +70°C	-20°C ~ +70°C	-20°C ~ +70°C
Mechanical Life		1,000,000cycles	1,000,000cycles	1,000,000cycles
Electrical Life		50,000 cycles	50,000 cycles	50,000 cycles
Contact Material		Silver Alloy	Silver Alloy	Silver Alloy
Panel Thickness		1 ~ 10mm	1 ~ 10mm	1 ~ 10mm
Torque		5 ~ 14Nm	5 ~ 14Nm	5 ~ 14Nm
Operation Pressure		3 ~ 8N	3 ~ 8N	3 ~ 8N
IP Degree		IP65	IP65	IP65
Material	Button	Stainless Steel	Stainless Steel	Stainless Steel
	Body	Stainless Steel	Stainless Steel	Stainless Steel
	Base	PA	PA	PA
RoHS		Made to order	Made to order	Made to order
LED Spec.	Type	-	Dot Illuminated(LED)	Ring Illuminated(LED)
	Rated Voltage	-	6V / 12V / 24V / 110V / 220V	6V / 12V / 24V / 110V / 220V
	Color	-	R G Y O B W	R G Y O B W
	Life	-	40,000 hours	40,000 hours

Terminal Arrangement



Switching Operation

