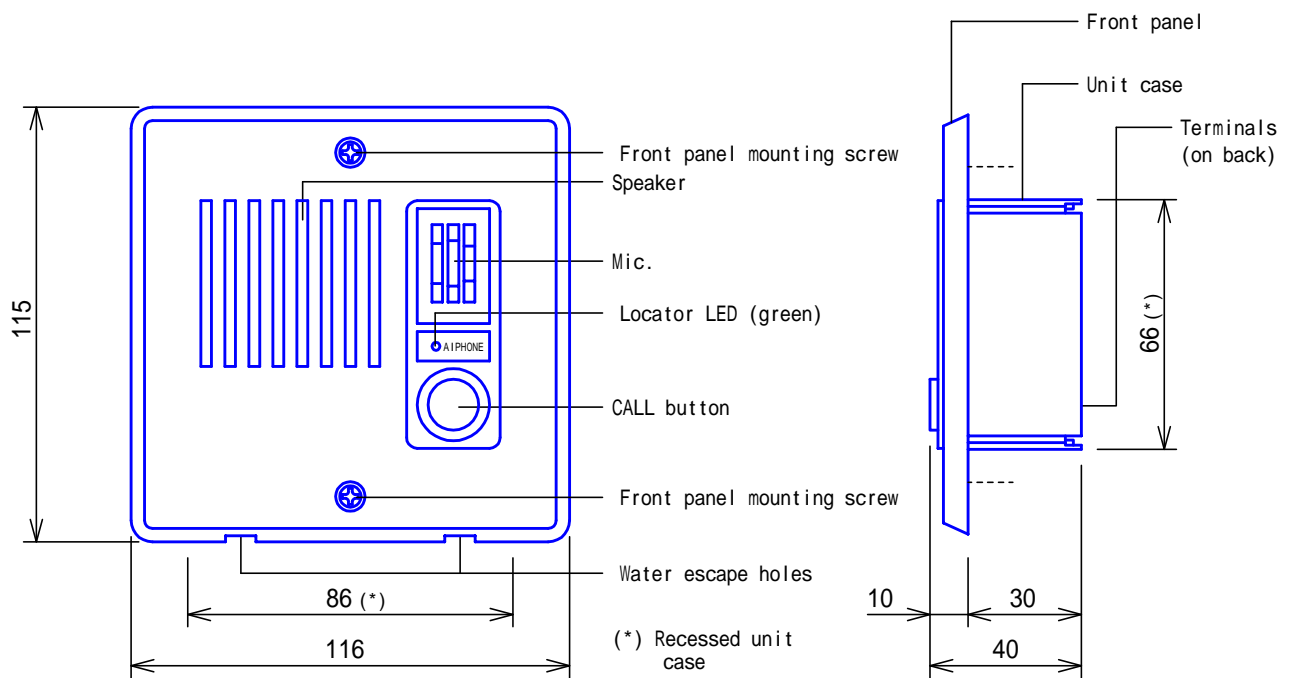
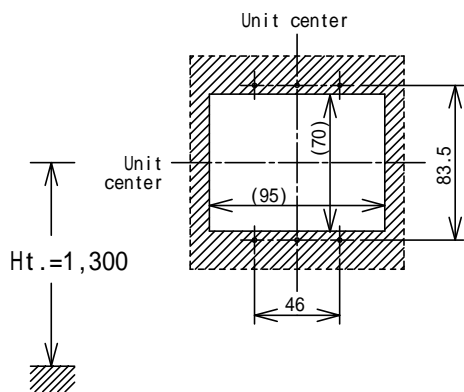


## PRODUCT DRAWING



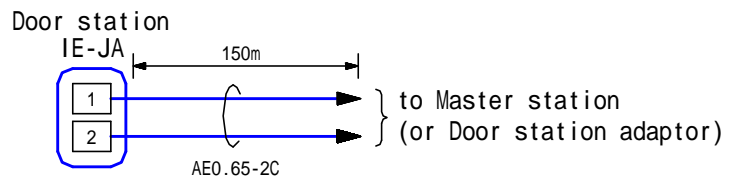
## MOUNTING



\* Unit case; 2-gang guided 83.5 H x 46 W  
 \* 95(W) x 70(H): Opening cut out when electrical box is provided.

## SPECIFICATIONS

## WIRING DIAGRAM



For wiring distance, refer to Master station SPECIFICATIONS.

## RESTRICTIONS

Do not have water escape holes on bottom covered with caulking seals.

## FUNCTIONS

Calling a Master station by pressing CALL button and entering communication after the Master station replies. Locator LED is lit while the Master station is being powered.

Power source	4.5V ~ 6V DC (approx. 9V DC in talking). Supplied from Master station		
Type of communication	Open voice simultaneous communication		
Locator LED current	1mA		
Output impedance	600 Ohm		
Mounting	Wall flush-mount		
Electrical box	2-gang box or middle square outlet box		
Housing	Front panel: Stainless steel. Unit case: Plastic.		
Weight	210g(approx.)		
Unit color	Stainless steel vertical hair-line processed		
Remarks	Weather-resistant (JIS C 0920 Protection Class 3 equivalent)		

DESCRIPTION	FIG. NAME	UNIT	DATE
DOOR STATION	PRODUCT/SPEC./WIRING/RESTR./FCN.	mm	11 March, 2002
MODEL NO.	FIG.NO.	PAGE	REVISION
IE-JA	36829301-1-1	1/1	1

**AIPHONE**