

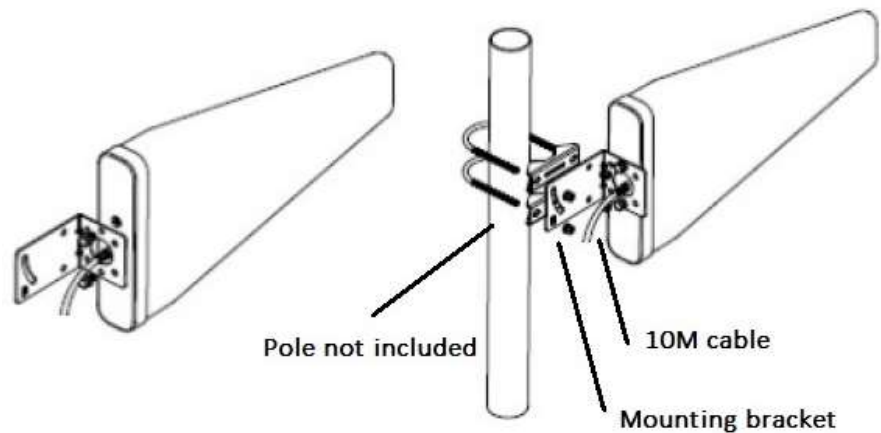
FEATURES

- Multiband Yagi antenna
- Compatible with 3G, 4G, and 5G networks
- Wide frequency range (698 MHz to 3800 MHz)
- Compatible with Telstra's 4GX and Optus' 4G Plus networks
- Carrier aggregation ready
- Pole or wall mount, with mounting brackets included
- 12 dBi peak gain
- 10 m low loss RG58 cable included, terminated with SMA-M connector

LTE YAGI Antenna 3G+4G+5G (ANT-YAGI-10SP)

The Comset ANT-YAGI-10SP 3G/4G/5G Yagi Antenna is ideal for those seeking increased signal, and faster, more reliable data speeds on today's 4G and 5G networks. It supports all bands across 3G, 4G, and 5G networks, including Telstra's 4GX and Optus' 4G Plus on the 700 MHz B28 band. It has a peak gain of 12 dBi, and a wide frequency range of 698 MHz to 3800 MHz.

The weatherproof housing is designed for mast or wall mounting and comes with a mounting bracket. A 10 metre, low loss RG58 cable terminated with SMA male connector is also supplied.



Specifications

MODEL

- ANT-YAGI-10SP

ELECTRICAL DATA

Frequency

- 698 MHz to 3800 MHz

Operational Bands

- 3G/4G/5G

Peak Gain

- 9 dBi @ 700 MHz
- 9 dBi @ 850 MHz
- 10 dBi @ 900 MHz
- 11 dBi @ 1800 MHz
- 12 dBi @ 2100 MHz
- 12 dBi @ 2600 MHz
- 12 dBi @ 3500 MHz

Polarisation

- Vertical

Voltage Standing Wave Ratio

- ≤ 1.8

Horizontal Beamwidth

- 90°

NETWORK COMPATIBILITY

Carrier	Frequency (MHz)	Band	Gain (dBi)	Compatible
Telstra (4GX)	700	28	9	✓
Telstra 4G	1800	3	11	✓
Telstra 4G	2100	1	12	✓
Telstra 4G	2600	7	12	✓
Telstra 5G	3500	n78	12	✓
Optus (4G Plus)	700	28	9	✓
Optus 4G	900	8	10	✓
Optus 4G	1800	3	11	✓
Optus 4G	2300	40	12	✓
Optus 4G	2600	7	12	✓
Optus 5G	3500	n78	12	✓
Vodafone (4G+)	850	5	9	✓
Vodafone 4G	900	8	10	✓
Vodafone 4G	1800	3	11	✓
Vodafone 4G	2100	1	12	✓
TPG 4G	700	28	9	✓
TPG 4G	2600	7	12	✓
NBN Co	2300	40	12	✓

Vertical Beamwidth

- 60°

Front to Back Ratio

- ≥ 16 dB

Lightning Protection

- DC Ground

Max Input Power

- 50 W

Radiation

- Directional

MECHANICAL DATA

Reflector Material

- Aluminium Alloy

Radome Material

- ABS

Colour

- White

Antenna Dimensions

- 440 x 209 x 70 mm

Packaging Dimensions

- 450 x 214 x 75 mm

Weight

- 0.8 kg

Working Temperature

- -40 °C to +70 °C

Rated Wind Velocity

- 60 m/s

MOUNTING DATA

Fixing

- Wall mount
- Mast mount

Mounting Bracket

- Included

Hold Pole Diameter

- Ø30 - Ø50 mm

Cable

- RG58 (10 m)

Connector

- SMA Male