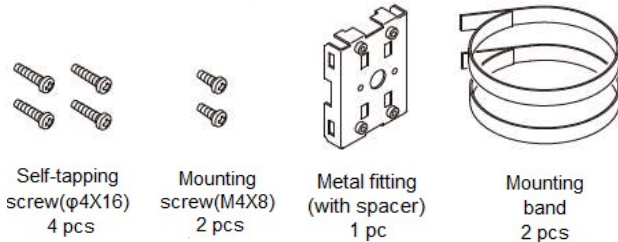


### 1 PRODUCT DESCRIPTION

This is an attachment for mounting the sensor to a cylindrical object such as a pole.  
(Compatible pole outer diameter:  $\phi 40$  to  $\phi 140$ mm)  
[ Applicable for PIR-T15AM/T40NAM, PA-15WE/30NE]

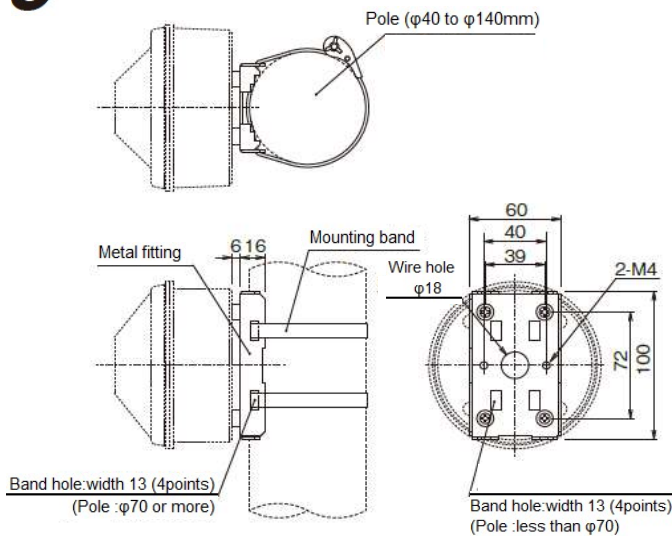
### 2 PARTS DESCRIPTION



### 4 SPECIFICATIONS

Model	Pole attachment
Model number	BP-02
Weight	Approx. 140g (include band)
Appearance	Fitting/Band : stainless

### 5 EXTERNAL DIMENTIONS (unit: mm)



### 3 INSTALLATION

- Pass the mounting band through the metal fittings as shown in the right figure.  
 $\phi 70\text{mm} \sim \phi 140\text{mm}$   
 $\phi 40\text{mm} \sim \phi 70\text{mm}$   
 \* When using a pole with a small diameter ( $\phi 70$  mm or less), pass the band through the hole inside the metal fitting.
- Attach the metal fittings with the supplied screws as shown in the figure below.  
 [ PA-15WE/30NE ] [ PIR-T15AM/T40NAM ]  

 Self-tapping screw ( $\phi 4 \times 16$ ) 4 pcs  

 Pole  
BP-02
- Wrap the two bands around the pole and tighten them tightly.

#### ● Precautions for band mounting

- Pass the band through the band hole inside the shaft.
  - Move the metal fitting back and forth to wind up and tighten the band.
  - Pass excess band through the chassis of the sensor, or cut it with pliers, etc.  

 Approx. 3cm  
Plier, etc.
  - Fully tighten the band and push down the metal fitting to lock it with the stopper.  

 CLICK!  
 ※ Tap the metal part of the stopper with a mallet, etc. when it is difficult to lock the band.
- ⚠ Be careful not to be injured with the cut end of the band.

#### Limited Warranty :

TAKEX products are warranted to be free from defects in material and workmanship for 12 months from original date of shipment. Our warranty does not cover damage or failure caused by Acts of God (including inductive surge by lightning), abuse, misuse, abnormal usage, faulty installation, improper maintenance or any repairs other than those provided by TAKEX. All implied warranties with respect to TAKEX, including implied warranties for merchantability and implied warranties for fitness, are limited in duration to 12 months from original date of shipment. During the Warranty Period, TAKEX will repair or replace, at its sole option, free of charge, any defective parts returned prepaid. Please provide the model number of the products, original date of shipment and nature of difficulty being experienced. There will be charges rendered for product repairs made after our Warranty period has expired.

**TAKEX TAKENAKA ENGINEERING CO., LTD.**

#### In Japan

Takenaka Engineering Co., Ltd.  
83-1, Gojo-Dori, Sotokan Nishi-iru, Higashino,  
Yamashina-ku, Kyoto 607-8156, Japan  
Tel : 81-75-501-6651  
Fax : 81-75-593-3816  
<https://www.take-ex.co.jp/>

#### In the U.S.

Takex America Inc.  
1810 Oakland Road, Ste F  
San Jose, CA 95131  
Tel : 408-747-0100  
FAX : 408-734-1100  
<https://www.take-ex.com>

#### In Australia

Takex America Inc.  
4/15 Howleys Road, Notting Hill,  
VIC, 3168  
Tel : +61 (03) 9544-2477  
Fax : +61 (03) 9543-2342  
<https://www.take-ex.com>

#### In the U.K.

Takex Europe Ltd.  
Aviary Court, Wade Road,  
Basingstoke, Hampshire. RG24 8PE, U.K.  
Tel : (+44) 01256-475555  
Fax : (+44) 01256-466268  
<https://www.take-ex.com>