

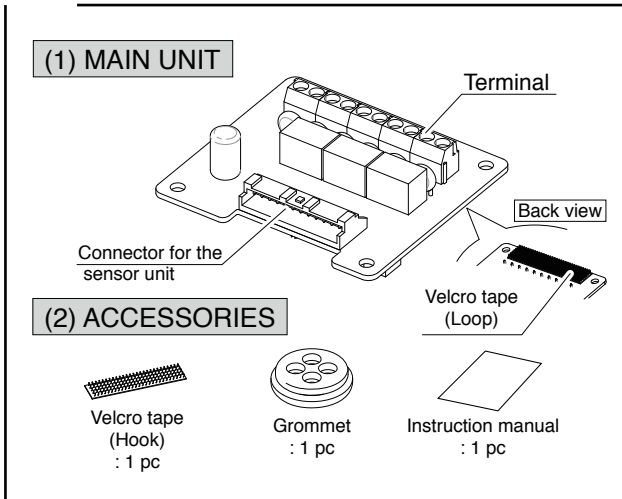
TAKEX

POWER CONVERTOR UNIT(for TXF-125DM) BPC-125T/BPC-125R

Instruction Manual

Thank you for purchasing this product. Before using the product, please read this instruction manual to ensure correct operation.

1 PARTS DESCRIPTION



2 PRECAUTIONS

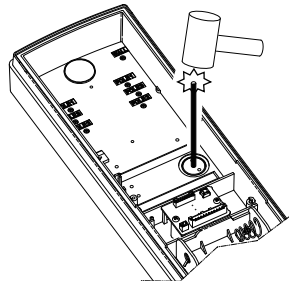
Be sure to observe

Warning

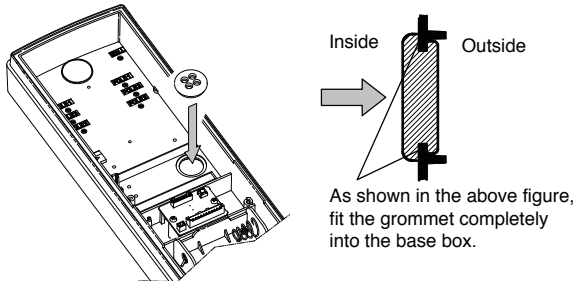
- A prohibited action, you must not do.
- An action you must do, and information you should keep in mind
- Do not use the unit with power voltage levels other than those specified. Failure to follow this may result in fire, electric shock, and/or malfunction.
- Do not connect devices that exceed the indicated capacity to the output contact of this device. Doing so may cause a fire or electrical shock.
- Do not touch the unit, wiring to installing with wet hands.
- Make sure to perform sufficient operation checks on the whole system before operation.
- To prevent malfunction with water ingress, apply caulking to a gap of the grommet, unused holes, and accidentally drilled hole.

3 BEFORE USE

- Break the knockout of the base box for wiring.



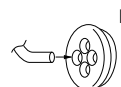
- Fit the grommet into the wiring hole.



As shown in the above figure, fit the grommet completely into the base box.

- Pass the wiring material through the grommet.

About the grommet



Note1: For wiring with an external diameter of $\phi 0.12$ "(3mm) to $\phi 0.24$ "(6mm), break the membrane by pressing it through the recess.



Note2: For wiring with an external diameter exceeding $\phi 0.24$ "(6mm), cut off the section shown by the dotted lines in the left drawing using nippers or equivalent tools. Be sure to caulk the cut section as an insect-proof and drip-proof countermeasure.

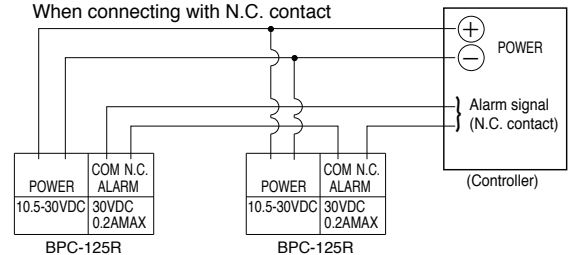
□Wiring distance

Size of wire used	Model Supply voltage	BPC-125T		BPC-125R	
		12VDC	24VDC	12VDC	24VDC
AWG 20 (Dia. 0.8mm)		450 (1,450)	4,400 (14,000)	150 (490)	1,400 (4,600)
AWG 18 (Dia. 1.0mm)		750 (2,500)	7,000 (22,500)	250 (830)	2,300 (7,500)
AWG 16 (Dia. 1.25mm)		1,200 (4,000)	11,100 (36,000)	400 (1,350)	3,600 (11,500)

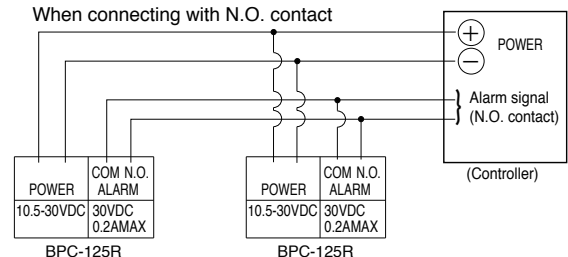
*The maximum wire length, when two or more units are connected, is the above distance divided by the number of units.

□Basic connection

When connecting with N.C. contact



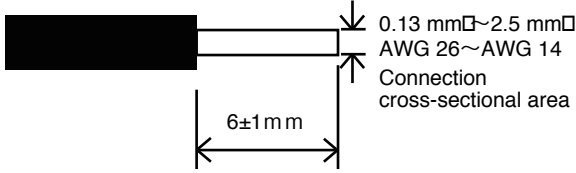
When connecting with N.O. contact



4 INSTALLATION METHOD

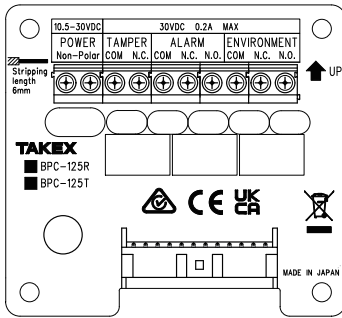
Wiring

- 1 Peel off the cover to expose the core wire.



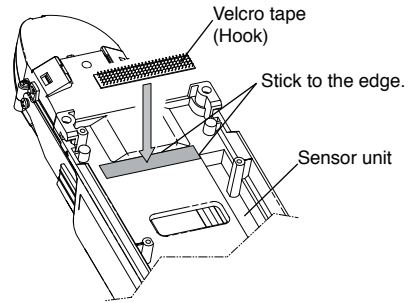
- 2 Terminal Configuration

POWER INPUT (non-polarity)	
	10.5 to 30V DC BPC-125R:70mA max. BPC-125T:23mA max.
TAMPER OUTPUT	
COM	Contact method: Contact relay (N.C.)
N.C.	Contact capacity:30V DC 0.2A
ALARM OUTPUT Note: Only BPC-125R	
COM	Contact method: Contact relay form C
N.C.	Contact capacity:30V DC 0.2A
N.O.	
ENVIRONMENT OUTPUT Note: Only BPC-125R	
COM	Contact method: Contact relay form C
N.C.	Contact capacity:30V DC 0.2A
N.O.	

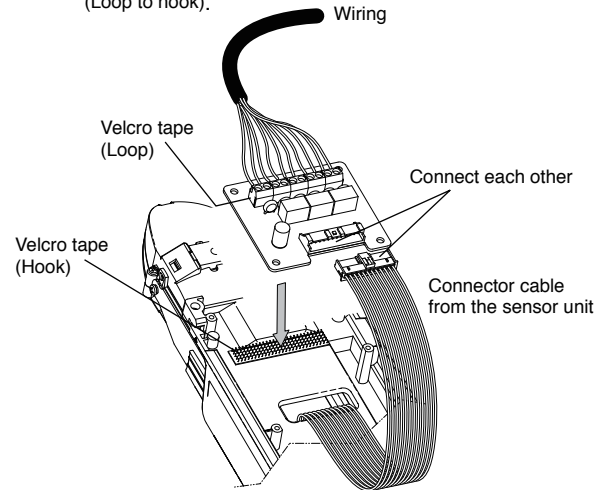


※Figure: BPC-125R

- 3 Stick the attached velcro tape on the back of beam sensor unit.



- 4 Connect the sensor unit and BPC unit with a connector cable and attach it to the velcro tape (Loop to hook).



- 5 Attach the sensor unit and the front cover referring to the instruction manual of TXF-125DM.

5 OPERATION CHECK

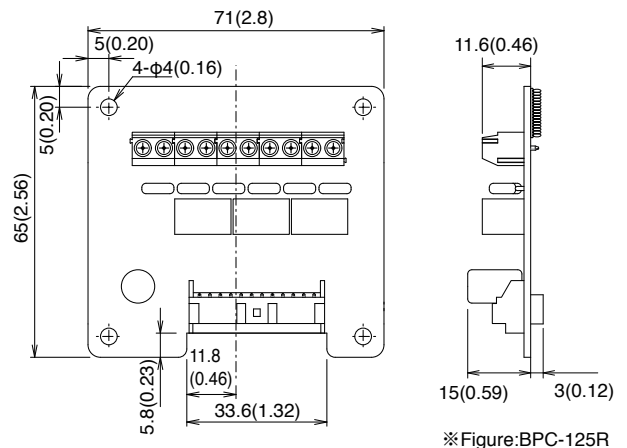
- After wiring and installation, turn on the power and check that the equipment is energized.
- Check the operation, referring to the instruction manual of TXF-125DM.

6 SPECIFICATIONS

	POWER CONVERTOR UNIT	
Model	BPC-125T	BPC-125R
Application	Installed inside the sensor to enable wired connection	
Adaptable model	TXF-125DM	
Power supply	10.5~30V DC (non-polarity)	
Current consumption	23mA	70mA
Ambient temperature	-25°C to +60°C (-13°F to +140°F)	
Wiring	Terminals	
Weight	23g (0.8oz)	35g (1.2oz)

7 EXTERNAL DIMENSIONS

Unit: mm (inch)



※Figure: BPC-125R

Limited Warranty :

TAKEX products are warranted to be free from defects in material and workmanship for 12 months from original date of shipment. Our warranty does not cover damage or failure caused by Acts of God (including inductive surge by lightning), abuse, misuse, abnormal usage, faulty installation, improper maintenance or any repairs other than those provided by TAKEX. All implied warranties with respect to TAKEX, including implied warranties for merchantability and implied warranties for fitness, are limited in duration to 12 months from original date of shipment. During the Warranty Period, TAKEX will repair or replace, at its sole option, free of charge, any defective parts returned prepaid. Please provide the model number of the products, original date of shipment and nature of difficulty being experienced. There will be charges rendered for product repairs made after our Warranty period has expired.

TAKEX TAKENAKA ENGINEERING CO., LTD.

In Japan

Takenaka Engineering Co., Ltd.
83-1, Gojo-Dori, Sotokan Nishi-iru, Higashino,
Yamashina-ku, Kyoto 607-8156, Japan
Tel : 81-75-501-6651

<https://www.takex-eng.co.jp/>

In the U.S.

Takex America Inc.
1810 Oakland Rd, Suite F,
San Jose, CA 95131, USA
Tel : 408-747-0100
Fax : 408-734-1100

<https://www.takex.com>

In Australia

Takex America Inc.
4/15 Howleys Road, Notting Hill,
VIC, 3168
Tel : +61 (03) 9544-2477
Fax : +61 (03) 9543-2342

<https://www.takex.com>

In the U.K.

Takex Europe Ltd.
Aviary Court, Wade Road,
Basingstoke, Hampshire. RG24 8PE, U.K.
Tel : (+44) 01256-475555
Fax : (+44) 01256-466268

<https://www.takex.com>