

BATTERY OPERATED WIRELESS READY QUAD BEAM

DOUBLE MODULATION

TXF-125DM

**UP TO 100m(330ft) OUTDOOR
PHOTOELECTRIC BEAM SENSOR**

FEATURES

- Double modulation
- 4 Selectable operation ranges:
25 / 50 / 75 / 100m (82 / 165 / 245 / 330ft)
- 4-Channel frequencies allow multiple units to be used without crosstalk
- Up to 3 year battery life using 6 × LS 33600 (3.6V 17Ah) batteries (TX : 4pcs, RX : 2pcs)
- Wide beam pitch
- ±90° Horizontal / ±20°vertical adjustment
- IP65 Housing



Create temporary or permanent long-range perimeter protection in even the most remote of areas.

HIGHEST RELIABILITY

Double modulation technology ensures stability and reduces the possibility of unwanted activations from ambient light, and the IP65 design ensures integrity regardless of the installation conditions, preventing ingress from water, dust and insects whilst allowing moisture within to evaporate, prohibiting condensation.

INCREASED FLEXIBILITY

With 4 selectable frequencies, multiple beam sets can be used in both linear and stacked configurations without risk of crosstalk, whilst adjustable detection distance allows a single beam set to be re-deployed in a variety of different installations throughout its operational life.

TXF-125DM can be installed in Beam Towers using the optional extension cable.

BEAM ANGLE ADJUSTMENT

Featuring ±90° horizontal and ±20° vertical optical head adjustment, TXF-125DM can cater for even the most dynamic of terrains, ensuring high performance intrusion detection in almost any environment.

SAVING TIME AND MONEY

Designed for compatibility with leading wireless systems, TXF-125DM dramatically reduces the time and cost of installations by requiring no wiring or civil engineering work, ideal for rapid deployment in temporary or permanent secure perimeter intruder detection systems.

LONG BATTERY LIFE

6 x 3.6V (17Ah) batteries (TX: 4pcs, RX: 2pcs) can power TXF-125DM for up to 3 years of service, with the option of battery sharing for wireless transmitter units.

HYBRID HARDWIRED OPTION (TX/RX)

For even greater installation flexibility, hard-wire one side of TXF-125DM using the optional power converter unit BPC-125T/125R - ideal if either the transmitter or receiver side is close to a main power source.

OTHER FUNCTIONS

Enhanced features include a drip-proof housing designed to channel precipitation away from the optical face of the beam, anti-bird spikes to prevent our feathered friends from alighting on the units, and lightning surge protection.

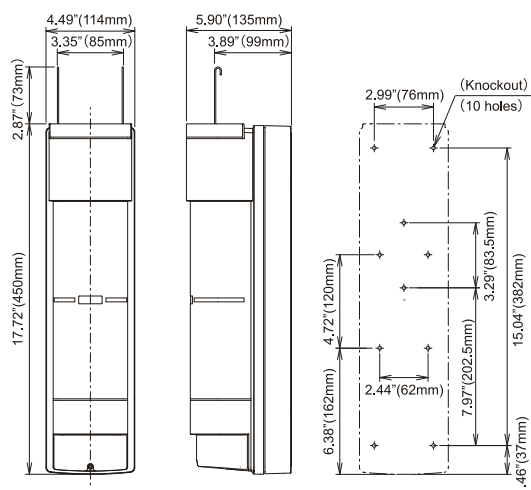
BATTERY OPERATED PHOTOELECTRIC BEAM SENSOR

SPECIFICATIONS

BATTERY OPERATED PHOTOELECTRIC BEAM SENSOR	
Model	TXF-125DM
Detection system	Near infrared pulsed beam interruption system (TR-RE 4 beam simultaneous interruption)
Infrared beam	Double modulation pulsed beam by LED (near infrared beam light-emitting diode)
Protection distance	Outdoor 100m(330') or less
Protection distance setting	25m(82'), 50m(165'), 75m(247'), 100m(330') (4 distances selectable)
Distance margin (maximum arrival distance)	10 times , 1000m(3,300')
Response time	50ms, 100ms, 250ms, 500ms (4-level changeover)
Modulated beam frequency selection	4 channels
Power supply voltage	3.6VDC (recommended battery: SAFT lithium thionyl chloride battery LS33600)
Current consumption	1,650μA Transmitter : Approx. 1,130μA (during protection) Receiver : Approx. 520μA (during protection) (normal temperature, 3.6V DC)
Battery life	Transmitter: Approx. 3 years (at normal temperature, with 4 recommended batteries, excluding wireless transmitter) Receiver: Approx. 3 years (detects 100 times a day, at normal temperature, with 2 recommended batteries, excluding wireless transmitter)
Alarm output (receiver only)	Contact method : Solid state switch form C Contact capacity: 3.6V DC 0.01A (resistive load)
Environment output (receiver only)	Contact method : Solid state switch form C Contact capacity: 3.6V DC 0.01A (resistive load)
Low battery output (transmitter and receiver)	Contact method : Solid state switch (N.O.) Contact capacity: 3.6V DC 0.01A (resistive load)
Tamper output (cover, back) (transmitter and receiver)	Contact method : Solid state switch (N.C.) Contact capacity: 3.6V DC 0.01A (resistive load)
Power output(transmitter and receiver)	3.0 to 3.6V DC 65mA max. (2 × new batteries)
Beam adjustment	Horizontal: ±90°, Vertical: ± 20°
Alarm LED	Red LED (Receiver) ON : when alarm is generated (Active only when the cover is open)
Attenuation LED	Red LED (Receiver) ON : when beam is attenuated (Active only when the cover is open)
Ambient temperature	-25C to +60C (-13°F to +140°F) (No freezing or condensation) (The battery function may decrease at 0°C or less, or +40°C or more)
Functions	Sound check, Monitor jack, Upper/lower beam switch Low battery indication, Wireless alignment checker connection Battery saving, Repeat output
IP rating	IP 65
Mounting position	Outdoor, Indoor
Weight	Transmitter : 1,350g (47.3oz) (excluding batteries) Receiver : 1,350g (47.3oz) (excluding batteries)
Appearance	Cover : Resin (Wine red) Base : Resin (Black)

* Specifications and design are subject to change without prior notice.

EXTERNAL DIMENSIONS



Reference installation drawing



OPTIONS

- Power convertor unit
<BPC-125T (for transmitter)>
<BPC-125R (for receiver)>



- Extension cable
(for tower enclosures)



- Wireless alignment checker
<ER-02> (2pcs)



- Pole cover
<BP-50X> (2pcs)



- Pole side cover
<BS-50XP>



Limited Warranty :

TAKEX products are warranted to be free from defects in material and workmanship for 12 months from original date of shipment. Our warranty does not cover damage or failure caused by Acts of God (including inductive surge by lightning), abuse, misuse, abnormal usage, faulty installation, improper maintenance or any repairs other than those provided by TAKEX. All implied warranties with respect to TAKEX, including implied warranties for merchantability and implied warranties for fitness, are limited in duration to 12 months from original date of shipment. During the Warranty Period, TAKEX will repair or replace, at its sole option, free of charge, any defective parts returned prepaid. Please provide the model number of the products, original date of shipment and nature of difficulty being experienced. There will be charges rendered for product repairs made after our Warranty period has expired.



In Japan

Takenaka Engineering Co., Ltd.
83-1, Gojo-Dori, Sotokan Nishi-iru, Higashino,
Yamashina-ku, Kyoto 607-8156, Japan
Tel : 81-75-501-6651

<https://www.takex-eng.co.jp/>

In the U.S.

Takex America Inc.
1810 Oakland Rd, Suite F,
San Jose, CA 95131, USA
Tel : 408-747-0100

<https://www.takex.com>

In Australia

Takex America Inc.
4/15 Howleys Road, Notting Hill,
VIC, 3168
Tel : +61 (03) 9544-2477

<https://www.takex.com>

In the U.K.

Takex Europe Ltd.
Aviary Court, Wade Road,
Basingstoke, Hampshire, RG24 8PE, U.K.
Tel : (+44) 01256-475555

<https://www.takex.com>