

MINI-DISC

RECESSED CONTACTS

.59"(15mm) × .25"(6.3mm) Recessed Type



Contact Size: .59"×.25"(18mm×6.3mm)

Standard Magnet Size: .59"×.25"(18mm×6.3mm)

Standard Gap: .31"(8mm)

Colors: White, Brown

12"(305mm) 22 AWG Leads Standard

Longer leads available.

Specifications

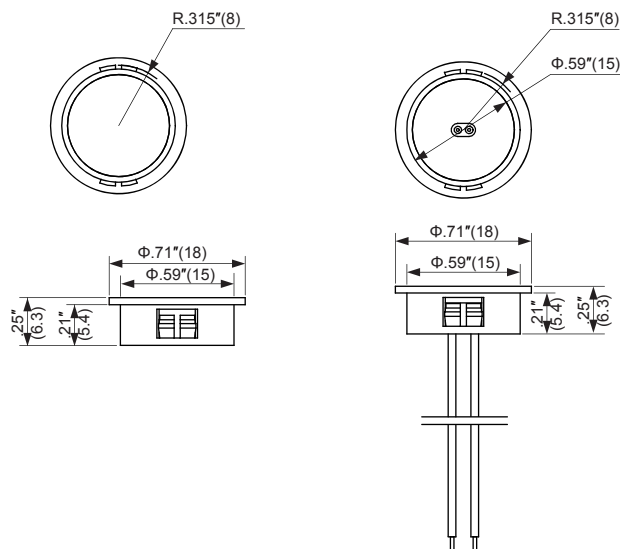
| Part Number | Gap Inch(mm) | Loop Open/Closed | Reed Form | Max. Contact Rating (W) | Max. Initial Contact Resistance (mΩ) | Max. Switching Voltage (V) | Max. Switching Current (A) |
|-------------|--------------|------------------|---------------|-------------------------|--------------------------------------|----------------------------|----------------------------|
| MINI DISC | .31"(8) | CLOSED | Normally Open | 1 | 100 | AC24/DC24 | 0.1 |

OPERATING TEMPERATURE:-40°C to +60°C

Outline Dimensions

Unit: inch(mm)

MINI-DISC



The Best Guarantee Since 1984 : \$50-1

TANE ALARM PRODUCTS

906 JERICO TURNPIKE, NEW HYDE PARK, NY 11040

Tel: 800-852-5050 • 516-328-3351 • Fax: 516-326-9125

www.tanealarm.com • E-MAIL: info@tanealarm.com