

SM-20 WG

SURFACE MOUNT CONTACTS

****SM-22 WG-WPWH (Water Resistant - SPDT)**

4.13"L×.65"W×.63"H Surface Mount Commercial Type



Contact Size: 4.13"L×.63"W×.63"H

(105mm×16mm×16mm)

Standard Magnet Size: 4.13"L×.63"W×.63"H

(105mm×16mm×16mm)

Standard Gap: 2"(50mm)

Colors: White, Brown, Gray

18"(458mm) 22 AWG Jacketed Leads

Longer leads available

Specifications

Part Number	Gap Inch(mm)	Loop Open/Closed	Reed Form	Max. Contact Rating (W)	Max. Initial Contact Resistance (mΩ)	Max. Switching Voltage (V)	Max. Switching Current (A)
SM-20 WG	2"(50)	CLOSED	Normally Open	10	100	AC110/DC100	0.5
SM-21 WG	2"(50)	OPEN	Normally Closed	3	100	AC30/DC30	0.2
* SM-22 WG Special Order	1.5"(38)	SPDT	SPDT	3	100	AC30/DC30	0.2
* SM-24 WG Special Order	1.38"(35)	DPDT	DPDT	3	100	AC30/DC30	0.2
** SM-22 WG -WPWH	1.5"(38)	SPDT	SPDT	3	100	AC30/DC30	0.2

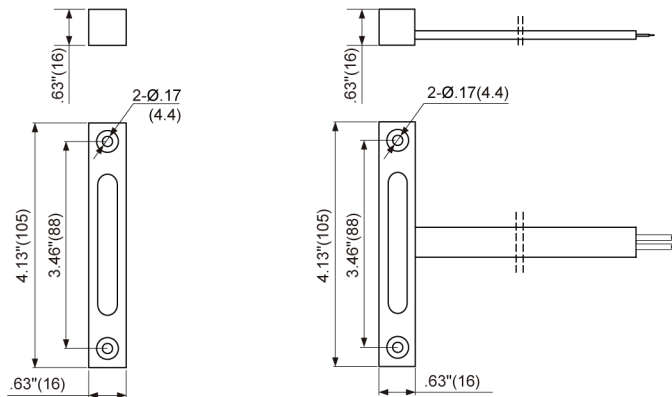
OPERATING TEMPERATURE:-40°C to +60°C

*SPECIAL ORDER - Call for Min. Order Qty. - Leadtime - Pricing

Outline Dimensions

Unit: inch(mm)

SM-20 WG/SM-21 WG



The Best Product Guarantee since 1984®

TANE ALARM PRODUCTS

906 JERICHO TURNPIKE, NEW HYDE PARK, NY 11040

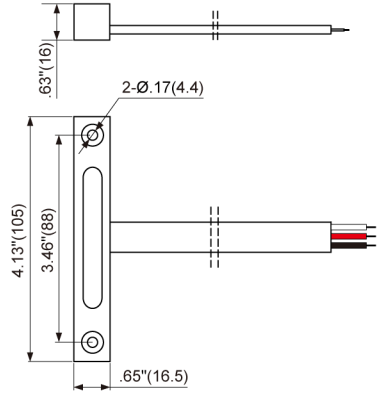
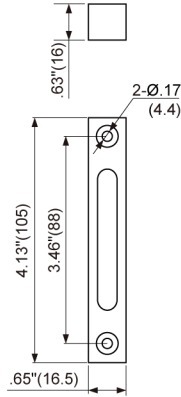
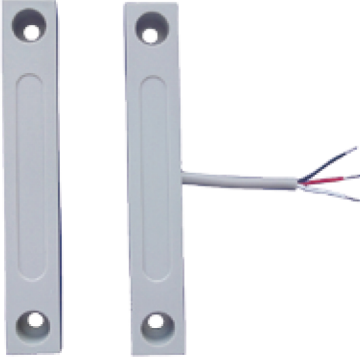
Tel: 800-852-5050 • 516-328-3351 • Fax: 516-326-9125

www.tanealarm.com • E-MAIL: info@tanealarm.com

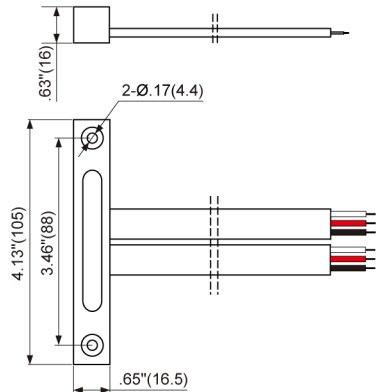
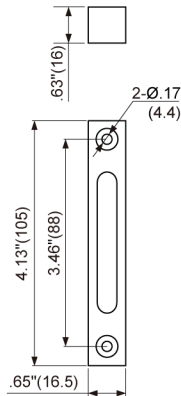
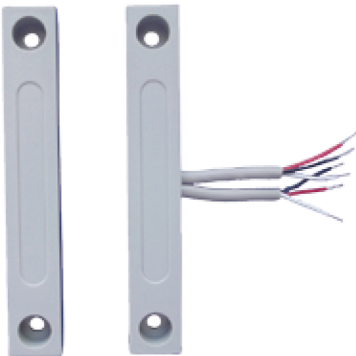
Outline Dimensions

Unit: inch(mm)

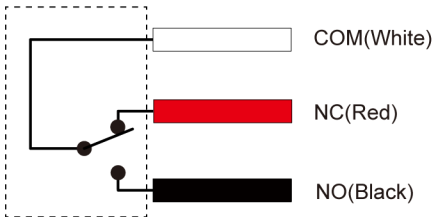
SM-22 WG SM-22WG-WP WH



SM-24 WG



SM-22 WG Wiring Diagram SM-22 WG & SM-22WG-WP WH Wiring Diagram



SM-24 WG Wiring Diagram

