

# TANE-86

## MINI OVERHEAD DOOR CONTACTS

2.13"L×1.37"W×.37"H Mini Overhead Door (Armored) Commercial Type



Contact Size: 2.13"L×1.37"W×.37"H

(54mm×34.7mm×9.5mm)

Standard Magnet Size: 2.64"L×2.13"W×1.13"H

(67mm×54mm×28.7mm)

Standard Gap: 2.5"(64mm)

Colors: Aluminum Case

18"(458mm) Armored Leads Standard

36"(915mm) Armored Leads Available

### Specifications

Part Number	Gap Inch(mm)	Loop Open/Closed	Reed Form	Max. Contact Rating (W)	Max. Initial Contact Resistance (mΩ)	Max. Switching Voltage (V)	Max. Switching Current (A)
TANE-86 Mini	2.5"(64)	CLOSED	Normally Open	10	100	AC110/DC100	0.5
* TANE-87 Mini Special Order	2.05"(52)	OPEN	Normally Closed	3	100	AC30/DC30	0.2
* TANE-88 Mini Special Order	1.97"(50)	SPDT	SPDT	3	100	AC30/DC30	0.2

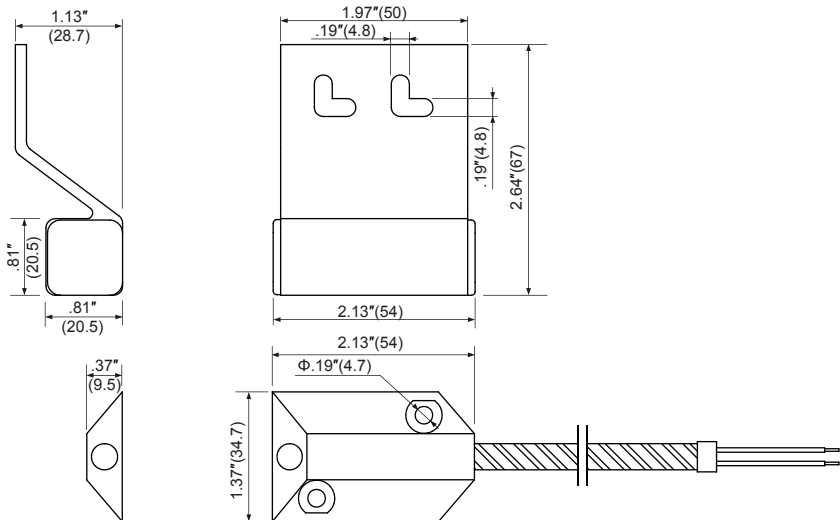
OPERATING TEMPERATURE:-40°C to +60°C

\*SPECIAL ORDER - Call for Min. Order Qty. - Leadtime - Pricing

### Outline Dimensions

Unit: inch(mm)

#### TANE-86 Mini/TANE-87 Mini



The Best Guarantee Since 1984 : \$50-1

**TANE ALARM PRODUCTS**

906 JERICHO TURNPIKE, NEW HYDE PARK, NY 11040

Tel: 800-852-5050 • 516-328-3351 • Fax: 516-326-9125

www.tanealarm.com • E-MAIL: info@tanealarm.com

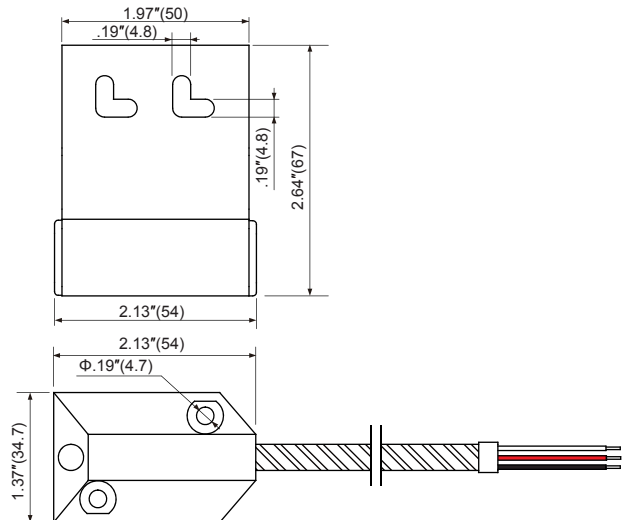
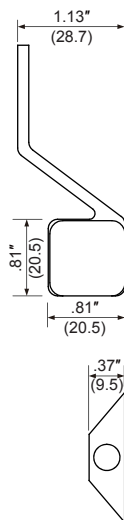
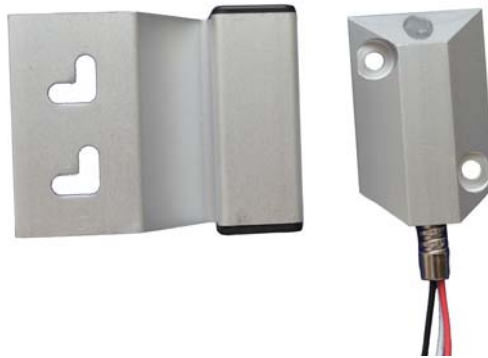
# TANE-86

## MINI OVERHEAD DOOR CONTACTS

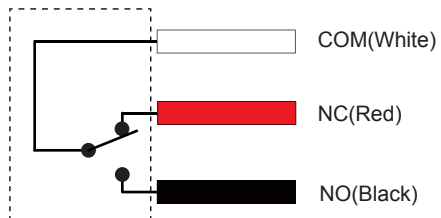
### Outline Dimensions

Unit: inch(mm)

#### TANE-88 Mini



#### TANE-88 Mini Wiring Diagram



The Best Guarantee Since 1984 : \$50-1

### TANE ALARM PRODUCTS

906 JERICHO TURNPIKE, NEW HYDE PARK, NY 11040

Tel: 800-852-5050 • 516-328-3351 • Fax: 516-326-9125

www.tanealarm.com • E-MAIL: info@tanealarm.com