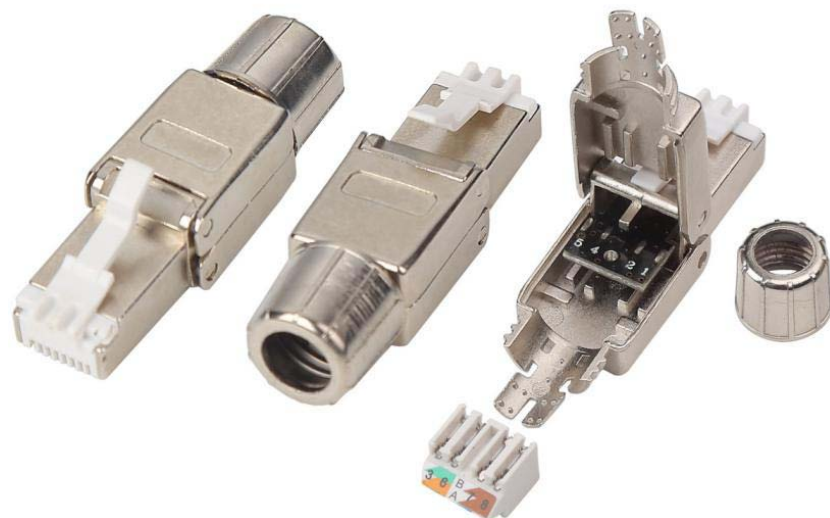
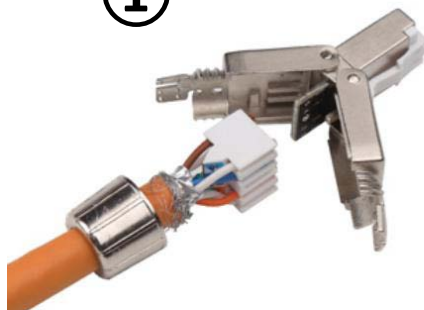




★ RJ45 FTP TOOLLESS PLUG



①



②



TYPE:

1. CAT.6A RJ45 SHIELDED TOOLLESS PLUG
2. COLOUR: SILVER
3. ROHS,REACH COMPLIANT

CABLE MATCHED:

1. SOILD AND STRANDED
2. 22AWG/23AWG/24AWG

ELECTRICAL:

1. CONTACT RESISTANCE: 20m OHM
2. INSULATION RESISTANCE: $\leq 500M$ OHM @100 V DC
3. WITHSTAND VOLTAGE: DC1000V AC700V RMS 60Hz, IMIN
4. CAT6A PERMANENT LINK: CONFORM TO ANSI/TIA/EIA 568B. 2-10

ENVIRONMENTAL:

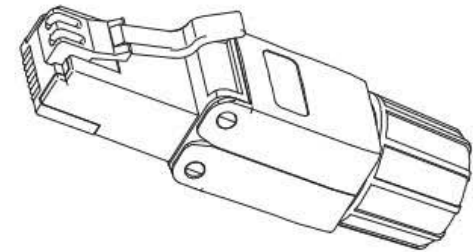
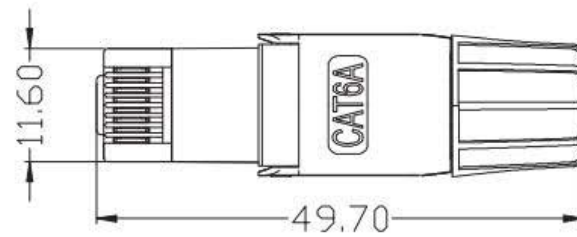
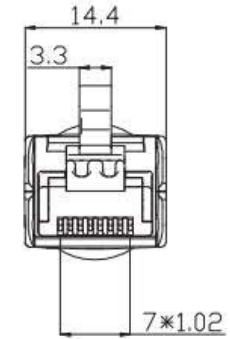
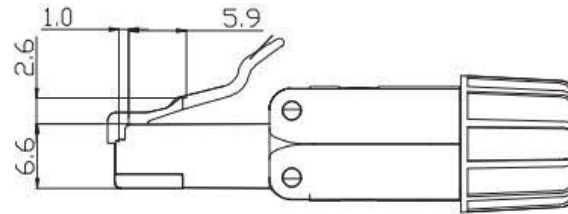
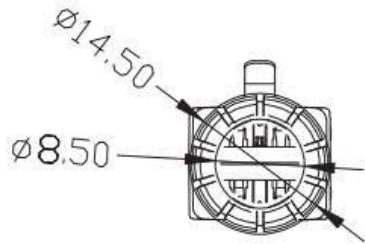
1. STORAGE: -40° / $+70^{\circ}$
2. OPERATION: -10° / $+60^{\circ}$

MECHANICAL:

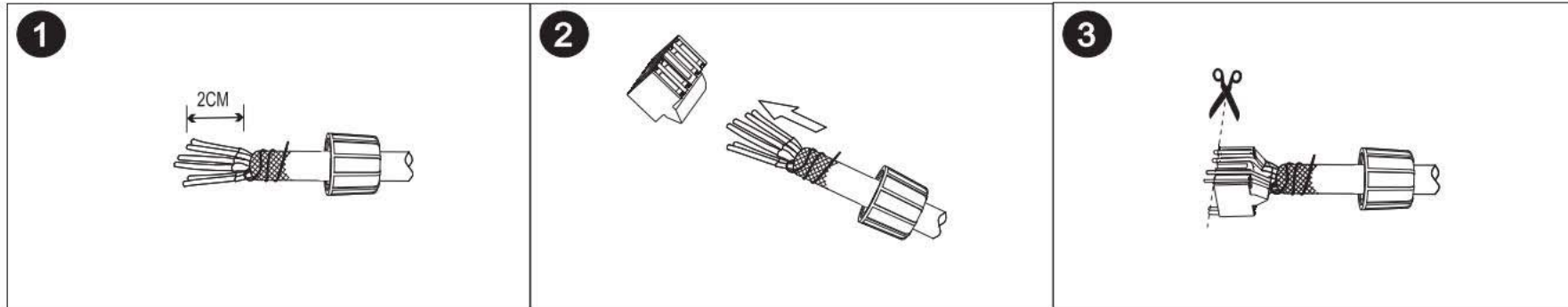
1. SHIELDED MATERIAL: ZINC ALLOY
2. PLASTIC MATERIAL: NEW PC
3. GOLD PINS: PHOSPHOR BRONZE, GOLD PLATING 3U''
4. TERMINAL PINS: PHOSPHOR BRONZE, ZIN PLATING
5. RJ45 CONTACT LIFE: 750 TIMES MIN
6. IDC TERMINAL LIFE: 250 TIMES MIN



★ RJ45 FTP TOOLLESS PLUG



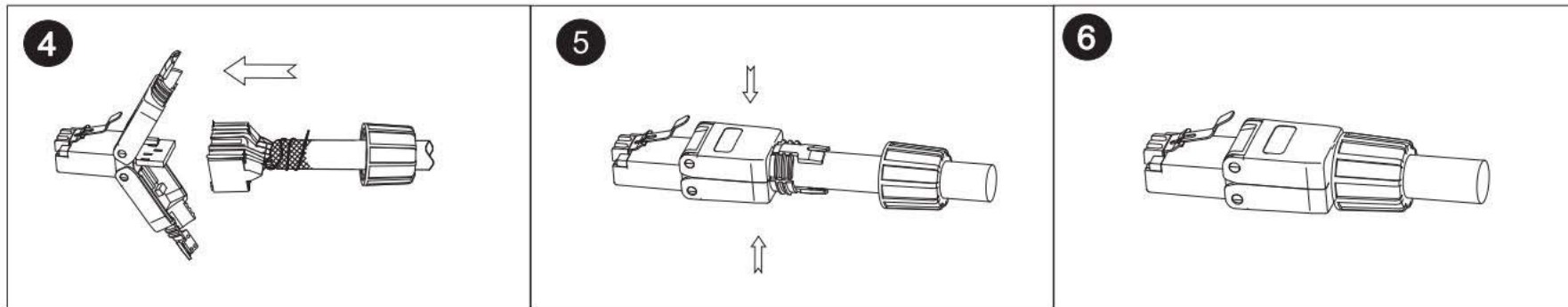
CAT6A SHIELDED TOOLLESS PLUG INSTRUCTION MANUAL



TAKE OF THE CABLE JACKET BY
TOOL ABOUT 2CM

PUT CABLE INTO IDC
ACCORDING TERMINAL T568

CUT AWAY THE EXTRA WIRES



TO INSERT IDC INTO PCB

PRESS DOWN BOTH SIDE METAL
HOUSING UNTIL THE WIRE INTO
THE IDC PIN CHASE

THE FINISHED PRODUCT