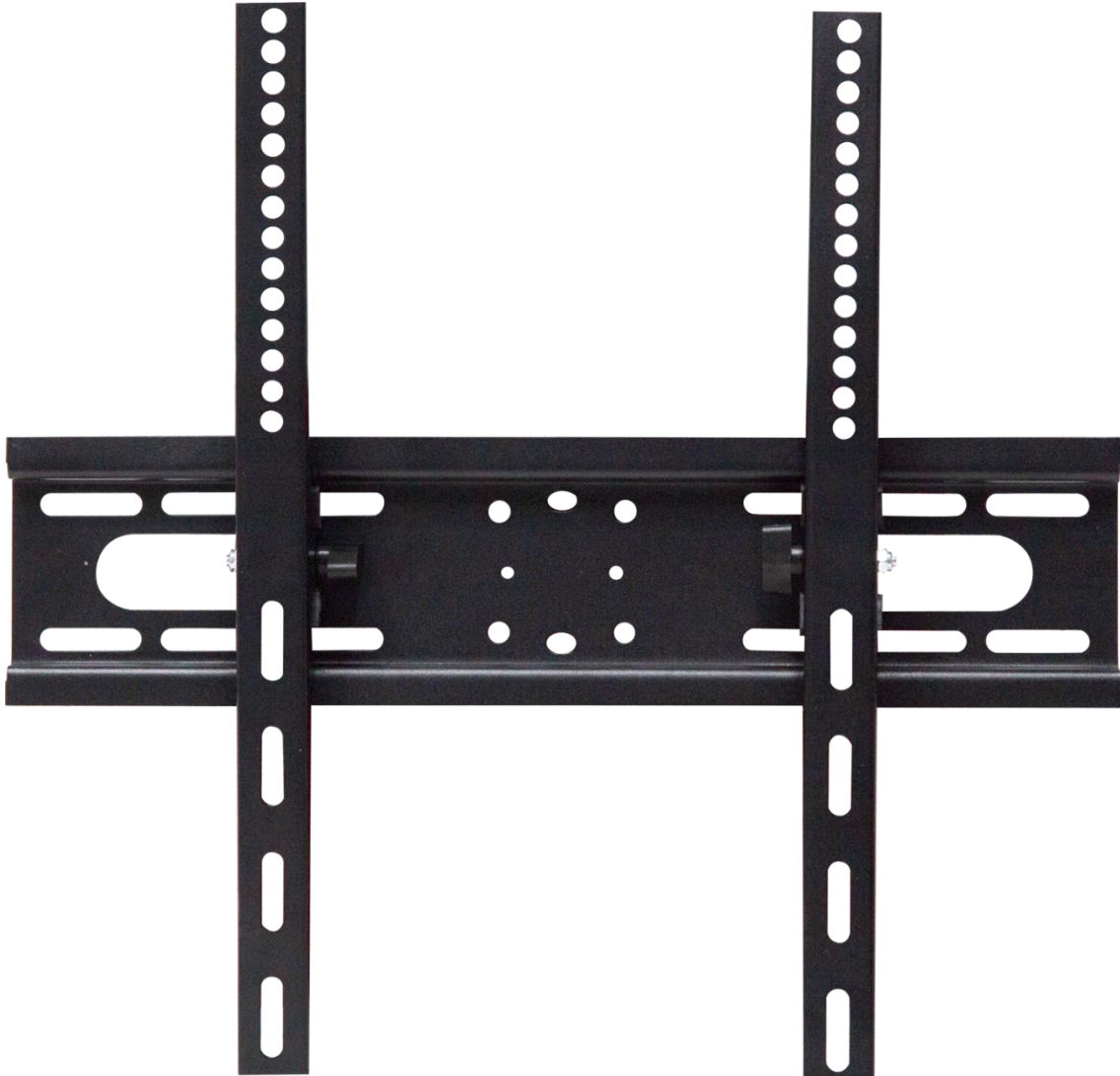


32"-55" Wall-hanging Mounts

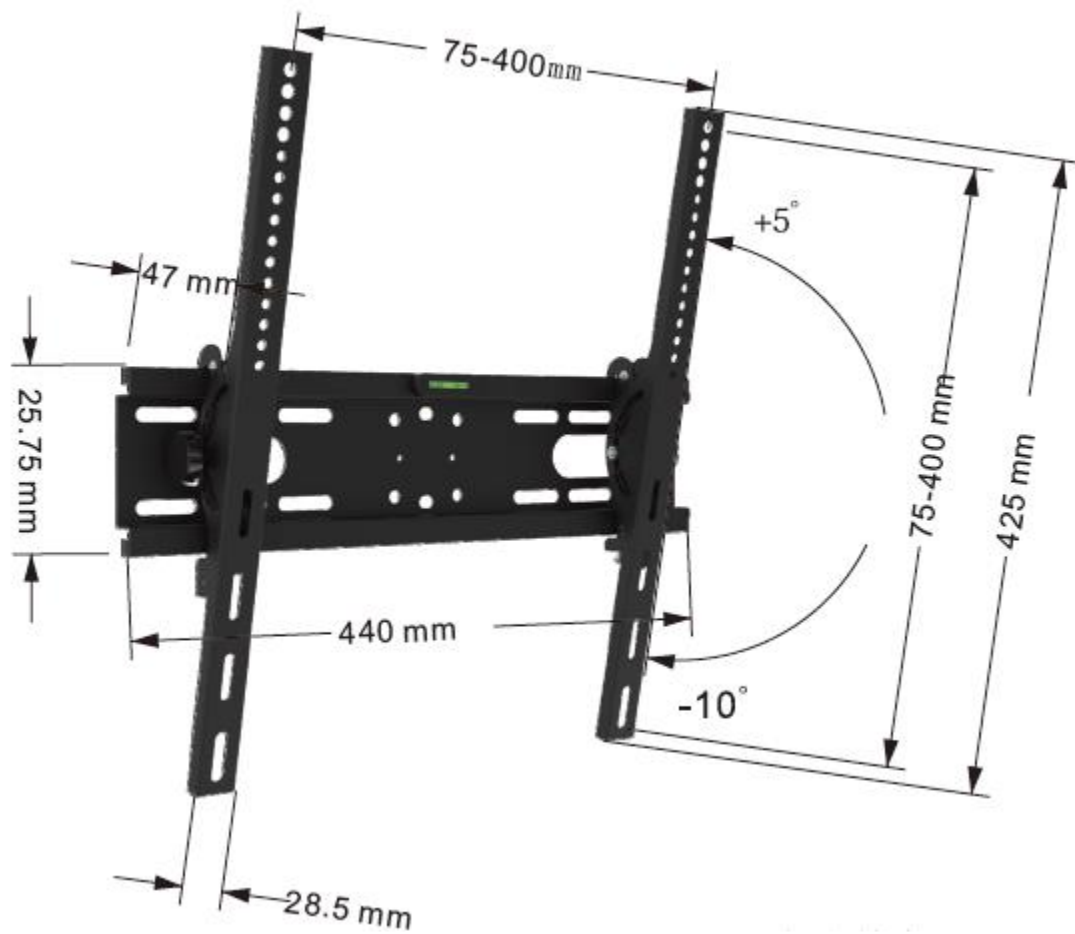
HB-4032-E



Specifications

| | |
|-------------------|------------------|
| Model | HB-4032-E |
| Dimension (W×H×D) | 440mm×425mm×47mm |
| Weight | 1.4 Kg |
| Material | SGCC |
| Standard | VESA |

Dimensions



Zhejiang Uniview Technologies Co.,Ltd.

Building No.10, Wanlun Science Park, Jiangling Road 88, Binjiang District, Hangzhou, Zhejiang, China

Email: overseasbusiness@uniview.com; globalsupport@uniview.com

<http://www.uniview.com>

©2017 Zhejiang Uniview Technologies Co.,Ltd. All rights reserved.

*Product specifications and availability are subject to change without notice.