

6MP ColorHunter with Wise-ISP Fixed Dome Network Camera

IPC3516LE-ADF28(40)K-WP



Features

- High quality image with 6MP, 1/1.8" CMOS sensor and F1.0 large aperture lens
- 6MP (3072*2048)@ 25/20fps; 4MP (2560*1440)@ 25/20fps; 3MP (2304*1296) @30/25fps; 2MP (1920*1080) @30/25fps;
- Ultra 265, H.265, H.264, MJPEG
- Support ColorHunter with Wise-ISP technology, deeply optimizing color, detail, and smear effects in extremely low-light scenes
- 120dB true WDR technology enables clear image in strong light scene
- Support 9:16 Corridor Mode
- Built-in Mic
- Supports 512 GB Micro SD card
- IP67 protection
- IK10 protection
- Support PoE power supply
- 3-Axis

Specifications

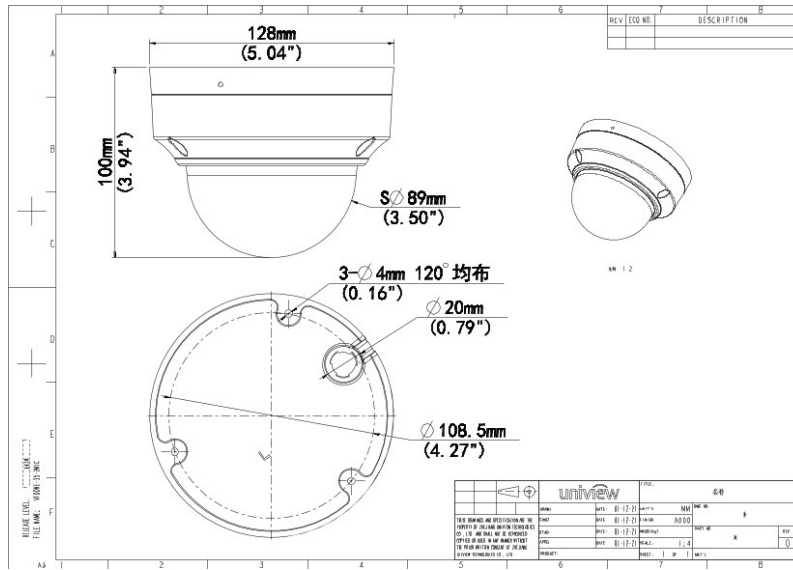
Camera	Description
Max Resolution	IPC3516LE-ADF28K-WP/IPC3516LE-ADF40K-WP-NB:6MP
Sensor	IPC3516LE-ADF28K-WP/IPC3516LE-ADF40K-WP-NB:1/1.8" CMOS
Min. Illumination	IPC3516LE-ADF28K-WP/IPC3516LE-ADF40K-WP-NB:Colour: 0.0003 lux (F1.0, AGC ON)
Shutter	IPC3516LE-ADF28K-WP/IPC3516LE-ADF40K-WP-NB:Auto/Manual, 1 ~ 1/100000s
Adjustment Angle	IPC3516LE-ADF28K-WP/IPC3516LE-ADF40K-WP-NB:Pan: 8° ~ 360°, Tilt: 0° ~ 68°, Rotate: 10° ~ 360°
S/N	IPC3516LE-ADF28K-WP/IPC3516LE-ADF40K-WP-NB:>52dB
WDR	IPC3516LE-ADF28K-WP/IPC3516LE-ADF40K-WP-NB:120dB
Lens	Description
Focal Length	IPC3516LE-ADF28K-WP:2.8mm IPC3516LE-ADF40K-WP-NB:4.0mm
Iris Type	IPC3516LE-ADF28K-WP/IPC3516LE-ADF40K-WP-NB:Fixed
Iris	IPC3516LE-ADF28K-WP/IPC3516LE-ADF40K-WP-NB:F1.0
Field of View (H)	IPC3516LE-ADF28K-WP:110.4° IPC3516LE-ADF40K-WP-NB:89.4°
Field of View (V)	IPC3516LE-ADF28K-WP:60.5° IPC3516LE-ADF40K-WP-NB:48.2°
Field of View (D)	IPC3516LE-ADF28K-WP:115.2° IPC3516LE-ADF40K-WP-NB:94.7°
DORI	Description
DORI Distance(Lens)	IPC3516LE-ADF28K-WP:2.8mm IPC3516LE-ADF40K-WP-NB:4.0mm
DORI Distance(Detect)	IPC3516LE-ADF28K-WP:43.4m(142.5.7ft) IPC3516LE-ADF40K-WP-NB:62.1(203.6ft)
DORI Distance(Observe)	IPC3516LE-ADF28K-WP:17.4(57.0ft) IPC3516LE-ADF40K-WP-NB:24.8(81.5ft)
DORI Distance(Recognize)	IPC3516LE-ADF28K-WP:8.7(28.5ft) IPC3516LE-ADF40K-WP-NB:12.4(40.7ft)
DORI Distance(Identify)	IPC3516LE-ADF28K-WP:4.3(14.3ft) IPC3516LE-ADF40K-WP-NB:6.2(20.4ft)

Illuminator	Description
Supplemental Light	IPC3516LE-ADF28K-WP:N/A
Video	Description
Video Compression	IPC3516LE-ADF28K-WP/IPC3516LE-ADF40K-WP-NB:Ultra 265; H.265; H.264; MJPEG
H.264 Code Profile	IPC3516LE-ADF28K-WP/IPC3516LE-ADF40K-WP-NB:Baseline profile, Main profile, High profile
Frame Rate	IPC3516LE-ADF28K-WP:Main Stream: 6MP (3072*2048), Max 25fps;4MP (2560*1440), Max 25fps; 3MP (2304*1296), Max 30fps; 1080P (1920*1080), Max 30fps; Sub Stream: 720P (1280*720), Max 30fps; D1 (720*576), Max 30fps; 640*360,Max 30fps; IPC3516LE-ADF40K-WP-NB:Main Stream: 6MP (3072*2048), Max 25fps;4MP (2560*1440), Max 25fps; 3MP (2304*1296), Max 30fps; 1080P (1920*1080), Max 30fps; Sub Stream: 720P (1280*720), Max 30fps; D1 (720*576), Max 30fps; 640*360,Max 30fps
Video Bit Rate	IPC3516LE-ADF28K-WP/IPC3516LE-ADF40K-WP-NB:128 Kbps ~ 6144 Kbps
U-code	IPC3516LE-ADF28K-WP/IPC3516LE-ADF40K-WP-NB:Support
OSD	IPC3516LE-ADF28K-WP/IPC3516LE-ADF40K-WP-NB:Up to 4 OSDs
Privacy Mask	IPC3516LE-ADF28K-WP/IPC3516LE-ADF40K-WP-NB:Up to 4 areas
ROI	IPC3516LE-ADF28K-WP/IPC3516LE-ADF40K-WP-NB:Up to 8 areas
Video Stream	IPC3516LE-ADF28K-WP/IPC3516LE-ADF40K-WP-NB:Dual Streams
Image	Description
White Balance	IPC3516LE-ADF28K-WP/IPC3516LE-ADF40K-WP-NB:Auto; Outdoor; Fine Tune; Sodium Lamp; Locked; Auto2
Digital Noise Reduction	IPC3516LE-ADF28K-WP/IPC3516LE-ADF40K-WP-NB:2D/3D DNR
Smart Illumination	IPC3516LE-ADF28K-WP/IPC3516LE-ADF40K-WP-NB:N/A
Flip	IPC3516LE-ADF28K-WP/IPC3516LE-ADF40K-WP-NB:Normal; Flip Vertical; Flip Horizontal; 180°; 90°Clockwise; 90°Anti-clockwise
Dewarping	IPC3516LE-ADF28K-WP/IPC3516LE-ADF40K-WP-NB:N/A
HLC	IPC3516LE-ADF28K-WP/IPC3516LE-ADF40K-WP-NB:Support
BLC	IPC3516LE-ADF28K-WP/IPC3516LE-ADF40K-WP-NB:Support
Defog	IPC3516LE-ADF28K-WP/IPC3516LE-ADF40K-WP-NB:Digital Defog
Events	Description
Basic Detection	IPC3516LE-ADF28K-WP/IPC3516LE-ADF40K-WP-NB:Motion Detection; Ultra Motion Detection; Tampering Alarm; Audio Detection; Cross Line (based on Human Body Detection); Intrusion (based on Human Body Detection)
General Function	IPC3516LE-ADF28K-WP/IPC3516LE-ADF40K-WP-NB:Watermark; IP Address Filtering;

	Access Policy; ARP Protection; RTSP Authentication; User Authentication; HTTP Authentication
Audio	Description
Audio Compression	IPC3516LE-ADF28K-WP/IPC3516LE-ADF40K-WP-NB:G.711U; G.711A
Audio Bitrate	IPC3516LE-ADF28K-WP/IPC3516LE-ADF40K-WP-NB:64 Kbps
Two-way Audio	IPC3516LE-ADF28K-WP/IPC3516LE-ADF40K-WP-NB:N/A
Suppression	IPC3516LE-ADF28K-WP/IPC3516LE-ADF40K-WP-NB:Support
Sampling Rate	IPC3516LE-ADF28K-WP/IPC3516LE-ADF40K-WP-NB:8KHZ
Storage	Description
Edge Storage	IPC3516LE-ADF28K-WP:Micro SD, up to 512 GB IPC3516LE-ADF40K-WP-NB:Micro SD, up to 256 GB
Network Storage	IPC3516LE-ADF28K-WP/IPC3516LE-ADF40K-WP-NB:ANR; NAS (NFS)
Network	Description
Protocols	IPC3516LE-ADF28K-WP/IPC3516LE-ADF40K-WP-NB:IPv4; IPv6; IGMP; ICMP; ARP; TCP; UDP; DHCP; PPPoE; RTP; RTSP; RTCP; DNS; DDNS; NTP; FTP; UPnP; HTTP; HTTPS; SMTP; 802.1x; SNMP; QoS; RTMP; SSL/TLS
Compatible Integration	IPC3516LE-ADF28K-WP/IPC3516LE-ADF40K-WP-NB:ONVIF (Profile S, Profile G, Profile T); API; SDK
User/Host	IPC3516LE-ADF28K-WP/IPC3516LE-ADF40K-WP-NB:Up to 32 users, 2 user levels: administrator and common user
Security	IPC3516LE-ADF28K-WP/IPC3516LE-ADF40K-WP-NB>Password Protection; Strong Password; HTTPS Encryption; Export Operation Logs; Basic and digest authentication for RTSP; Digest authentication for HTTP; TLS 1.2; WSSE and digest authentication for ONVIF
Client	IPC3516LE-ADF28K-WP/IPC3516LE-ADF40K-WP-NB:UNV-Link; UNV-Link Pro; EZStation
Web Browser	IPC3516LE-ADF28K-WP/IPC3516LE-ADF40K-WP-NB:Plug-in required live view: IE 10 and above, Chrome 45 and above, Firefox 52 and above, Edge 79 and above; Plug-in free live view: Chrome 57.0 and above, Firefox 58.0 and above, Edge 16 and above
Interface	Description
Audio I/O	IPC3516LE-ADF28K-WP/IPC3516LE-ADF40K-WP-NB:N/A
Alarm I/O	IPC3516LE-ADF28K-WP/IPC3516LE-ADF40K-WP-NB:N/A
Serial Port	IPC3516LE-ADF28K-WP/IPC3516LE-ADF40K-WP-NB:N/A
Built-in Mic	IPC3516LE-ADF28K-WP/IPC3516LE-ADF40K-WP-NB:Support
Built-in Speaker	IPC3516LE-ADF28K-WP/IPC3516LE-ADF40K-WP-NB:N/A

WIFI	IPC3516LE-ADF28K-WP/IPC3516LE-ADF40K-WP-NB:N/A
Network	IPC3516LE-ADF28K-WP/IPC3516LE-ADF40K-WP-NB:1 x RJ45 10M/100M Base-TX Ethernet
Video Output	IPC3516LE-ADF28K-WP/IPC3516LE-ADF40K-WP-NB:N/A
Certification	Description
EMC	IPC3516LE-ADF28K-WP/IPC3516LE-ADF40K-WP-NB:CE-EMC (EN 55032, EN 61000-3-3, EN IEC 61000-3-2, EN 55035) FCC (FCC 47 CFR part15 B)
Safety	IPC3516LE-ADF28K-WP/IPC3516LE-ADF40K-WP-NB:CE LVD (EN 62368-1) UL/CUL (UL 62368-1, CAN/CSA C22.2 No. 62368-1)
Environment	IPC3516LE-ADF28K-WP:CE-RoHS (2011/65/EU;(EU)2015/863); WEEE (2012/19/EU); IPC3516LE-ADF40K-WP-NB:CE-RoHS (2011/65/EU;(EU)2015/863); WEEE (2012/19/EU)
Protection	IPC3516LE-ADF28K-WP/IPC3516LE-ADF40K-WP-NB:IP67 (IEC 60529) IK10 (IEC 62262)
General	Description
Power	IPC3516LE-ADF28K-WP/IPC3516LE-ADF40K-WP-NB:DC 12V ±25%, PoE (IEEE 802.3af) Power consumption: Max 2.8W
Power Interface	IPC3516LE-ADF28K-WP/IPC3516LE-ADF40K-WP-NB:Ø 5.5mm coaxial power plug
Dimensions	IPC3516LE-ADF28K-WP/IPC3516LE-ADF40K-WP-NB:Φ 128mmx100mm (Ø5.0" x 3.9")
Weight	IPC3516LE-ADF28K-WP/IPC3516LE-ADF40K-WP-NB:0.63kg (1.39lb)
Material	IPC3516LE-ADF28K-WP/IPC3516LE-ADF40K-WP-NB:Metal + Plastic
Working Environment	IPC3516LE-ADF28K-WP/IPC3516LE-ADF40K-WP-NB:-30 °C ~ 60 °C (-22 °F ~ 140 °F), Humidity: ≤95% RH (non-condensing)
Storage Environment	IPC3516LE-ADF28K-WP/IPC3516LE-ADF40K-WP-NB:-30 °C ~ 60 °C (-22 °F ~ 140 °F), Humidity: ≤95% RH (non-condensing)
Surge Protection	IPC3516LE-ADF28K-WP/IPC3516LE-ADF40K-WP-NB:4KV
Reset Button	IPC3516LE-ADF28K-WP/IPC3516LE-ADF40K-WP-NB:Support
Web Client Language	IPC3516LE-ADF28K-WP/IPC3516LE-ADF40K-WP-NB:13 Languages English, Simplified Chinese, Polish, German, Russian, French, Korean, Dutch, Czech, Portuguese, Spanish, Spanish (Europe), Italian

Dimensions



Accessories

TR-JB03-H-IN

Junction Box for Metal Turret Camera(Support wiring from behind)



TR-JB07/WM03-F-IN

Wall Mounting Assembling Bracket with Back Hole for 3 Inch Hemisphere

TR-WM03-B-IN

Wall Mounting Assembling Bracket for 3 Inch Hemisphere



TR-A01-IN

NPT 3/4" Waterproof Cable Gland



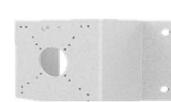
TR-UP06-IN

Universal Pole Mounting Bracket



TR-UC08-C

Bullet&Dome Corner Mounting Bracket



TR-SE24-IN

Dome Pendant Mounting Pole 200m

m



TR-SE24-A-IN

Dome Pendant Mounting Pole 500m

m



TR-CM24-IN

Dome Pendant Mounting Bracket(Indoor)



Zhejiang Uniview Technologies Co., Ltd.

No. 369, Xietong Road, Xixing Sub-district, Binjiang District, Hangzhou City, 310051, Zhejiang Province, China

Email: overseasbusiness@uniview.com; globalsupport@uniview.com

<http://www.uniview.com>

©2024 Zhejiang Uniview Technologies Co., Ltd. All rights reserved.

*Product specifications and availability are subject to change without notice.

*Despite our best efforts, technical or typographical errors may exist in this document. Uniview cannot be held responsible for any such errors and reserves the right to change the contents of this document without prior notice.