

# 32 Inches Plastic Case LCD Monitor

MW3232-V-K2



## Features

- Plastic casing, even lighter.
- New color management module delivers true to life colors.
- Ultra narrow bezel, ultra slim depth, light weight and elegant.
- Wide 178 viewing angles allow viewing from almost any direction.
- Automatic detection of signal cable connection.
- Stable structural design, highly durable.
- Easy pedestal assembly/disassembly. Flexible wall mount and pedestal mount, saving space.

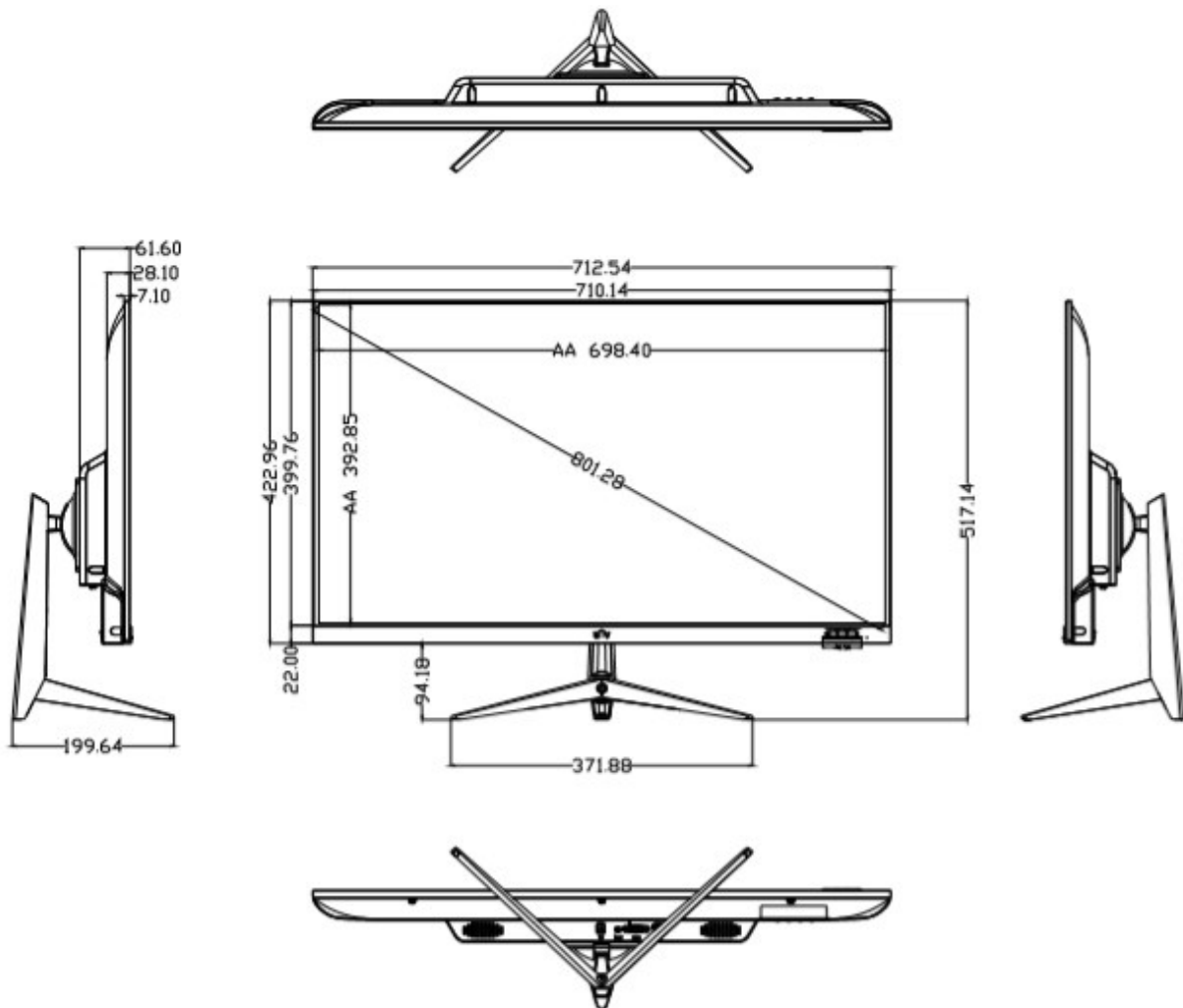
## Specifications

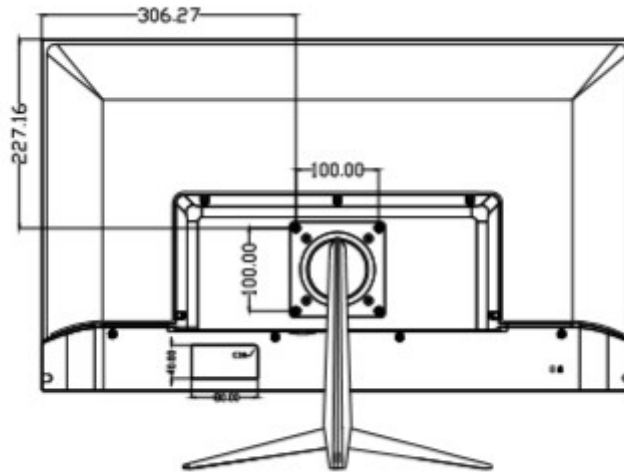
Model	MW3232-V-K2
Panel	
Panel Size	32"
LCD Technology/Panel Type	VA
Backlight	D-LED
Pixel Pitch (H x V) (mm)	0.36 x 0.36
Resolution	1920 × 1080
Color Support	16.7 M

Brightness (cd/m <sup>2</sup> )	300
Contrast Ratio	4000:1
Refresh Rate	75 Hz
Response Time (ms)	8
Viewing Angle (H/V)	Horizontal 178°, Vertical 178°
Display Size (mm)	698.40 x 392.85
Operation Hour	24/7
Bezel Width	1.20mm (top/left/right), 20.50mm (bottom)
Color Gamut	72% NTSC
Surface Treatment	Haze 25%, 3H
<b>Interface</b>	
Video Input	1 x VGA, 1 x HDMI
Audio Input	1 x Audio
<b>Speaker</b>	
Speaker	2 x 2 W
<b>VESA</b>	
VESA (mm)	100 x 100
Wall-mounted Thread	4-M4 Screw Holes, 8mm Deep
<b>OSD</b>	
Multi-Language	Polish, Dutch, Italian, German, Portuguese, Spanish, French, English, Simplified Chinese, Korean, Russian, Turkish
<b>General</b>	
Input Voltage	DC 12V, 3A
Typical Power Consumption (W)	<36
Standby Power Consumption (W)	<0.5
Product Dimensions (W x H x D) (mm)	712.54 x 422.96 x 61.60 (Excluding base) 712.54 x 517.14 x 199.64 (Including base)
Package Dimensions (W x H x D) (mm)	784 x 512 x 144
Weight (Kg)	Net Weight: 4.1 Gross Weight: 6
Operating Temperature	0°C ~ 40°C

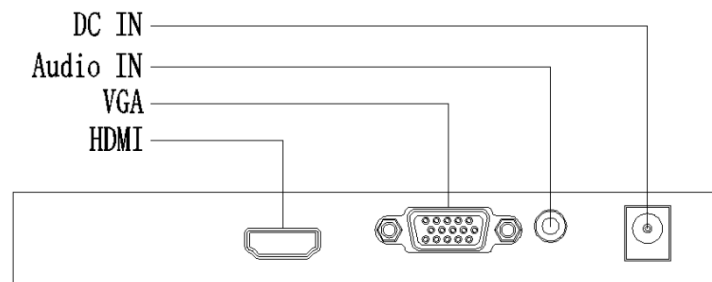
Operating Humidity	10% ~ 90% (No Condensation)
Storage Temperature	-10°C ~ 60°C
Storage Humidity	5% ~ 90% (No Condensation)
Standard	1 x HDMI Cable, 1 x Base, 1 x Adapter, 1 x Quick Guide
Material	ABS
Lifetime (h)	30000
Certifications	CE/FCC
MTBF	50000h
Optional Accessories	HB-4022-E

## Dimensions





## Interface



## Ordering Info

Product Model	Description
MW3232-V-K2	32 Inches Plastic Case LCD Monitor

### Zhejiang Uniview Technologies Co., Ltd.

No. 369, Xietong Road, Xixing Sub-district, Binjiang District, Hangzhou City, 310051, Zhejiang Province, China (Zhejiang) Pilot Free Trade Zone, China

Email: [overseasbusiness@uniview.com](mailto:overseasbusiness@uniview.com); [globalsupport@uniview.com](mailto:globalsupport@uniview.com)

<http://www.uniview.com>

©2024-2025 Zhejiang Uniview Technologies Co., Ltd. All rights reserved.

\*Product specifications and availability are subject to change without notice.

\*Despite our best efforts, technical or typographical errors may exist in this document. Uniview cannot be held responsible for any such errors and reserves the right to change the contents of this document without prior notice.