

# Network Video Recorder

## NVR301-B-P-IQ Series



### Features

- Support Ultra 265/H.265/H.264 video formats
- 4/8-channel input
- Plug & Play with 4/8 independent PoE network interfaces
- Support mainstream cameras of ONVIF conformance(Profile S, Profile G, Profile T ) and RTSP protocols
- Support HDMI and VGA simultaneous output
- Up to 12 Megapixels resolution recording
- ANR technology to enhance the storage reliability when the network is disconnected
- Support cloud upgrade

### Specifications

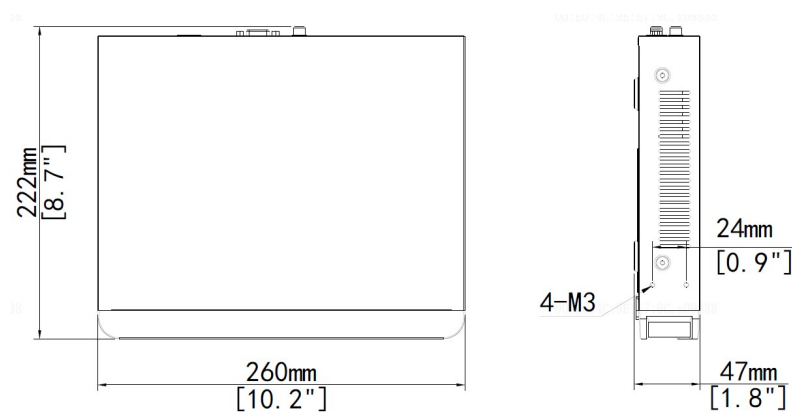
Decoding	Description
Decoding Format	Ultra 265,H.265,H.264
Decoding Capability	NVR301-04B-P4-IQ:Smart Off: 2 x 12MP@30, 2 x 4K@30, 4 x 4MP@30 Smart On: 2 x 4K@30, 4 x 4MP@30 NVR301-08B-P8-IQ:Smart Off: 2 x 12MP@30, 2 x 4K@30, 4 x 4MP@30, 8 x 1080P@30 Smart On: 2 x 4K@30, 4 x 4MP@30, 8 x 1080P@30
Decoding Capability Description	*. The resolution of each channel cannot exceed 8192 pixels in length and 4096 pixels in width.

Audio Compression	G.711A, G.711U
<b>Network</b>	Description
Incoming Bandwidth	80Mbps
Outgoing Bandwidth	80Mbps
Remote Users	128
Protocols	TCP/IP; P2P; NTP; DHCP; PPPoE; HTTP; HTTPS; DNS; DDNS; SNMP; SMTP; RTSP; IPv6; IPv4
Browser(Plugin)	Windows: IE (IE10/ 11), Firefox (version 52.0 and above), Chrome (version 45 and above), Edge (version 79 and above)
<b>Video/Audio Input</b>	Description
IP Video Input	NVR301-04B-P4-IQ:4-ch NVR301-08B-P8-IQ:8-ch
RCA Audio Input	1-ch
<b>Video/Audio Output</b>	Description
HDMI Output	4K(3840x2160)/30Hz, 1920x1080/60Hz, 1920x1080/50Hz, 1600x1200/60Hz, 1280x1024/60Hz, 1280x720/60Hz, 1024x768/60Hz
VGA Output	1920x1080/60Hz, 1920x1080/50Hz, 1600x1200/60Hz, 1280x1024/60Hz, 1280x720/60Hz, 1024x768/60Hz
RCA Audio Output	1-ch
Liveview Display	NVR301-04B-P4-IQ:1/4 NVR301-08B-P8-IQ:1/4/6/8/9
Corridor Mode Screen	NVR301-04B-P4-IQ:3/4 NVR301-08B-P8-IQ:3/4/5/7/9
<b>Two-way Audio</b>	Description
Two-way Audio	1-ch,RCA(Using the audio input and output)
<b>Snapshot</b>	Description
FTP/Schedule/Event Snapshot	4-ch snapshot,up to D1 resolution
<b>Recording</b>	Description
Recording Resolution	12MP/8MP/6MP/5MP/4MP/3MP/1080P/960P/720P/D1/2CIF/CIF
Num of Concurrent Playback	16-ch
<b>Smart</b>	Description
VCA Detection by IPC	Face Detection; face detection; Vehicle Detection; SIP (Intrusion Detection, Cross Line Detection, Enter Area, Leave Area); Ultra Motion Detection (UMD); People Counting

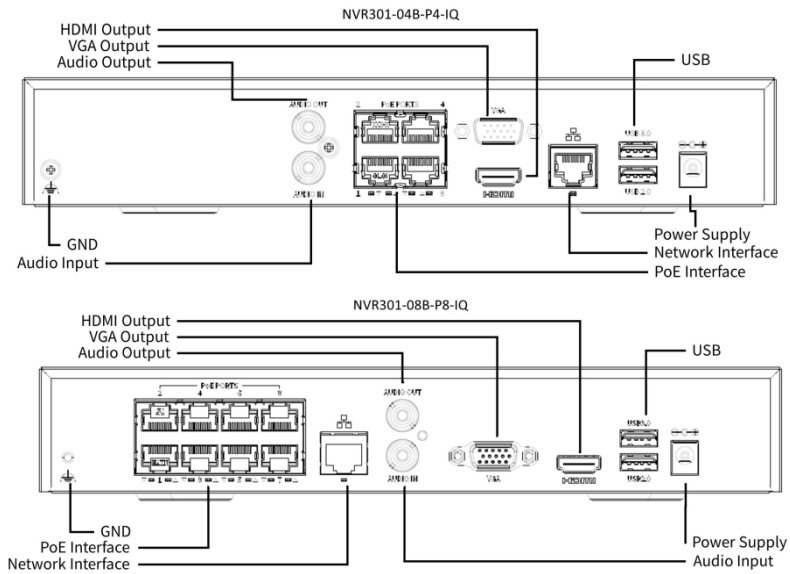
	(People Flow Counting, Crowd Density Monitoring); Traffic Monitoring
VCA Search	Motor Vehicle Search; Non-Motor Vehicle Search; Human Body Search; General Search; People Counting Report; Heat Map
Smart by IPC	All channels (up to 8 images/s in total)Face Detection,face detection,Vehicle Detection,SIP,UMD,Traffic Monitoring
Search by Image	Support
SIP by NVR	2-ch
UMD by NVR	4-ch
<b>Alarm</b>	<b>Description</b>
General Alarm	Defocus Detection; Scene Change Detection; Object Left Behind; Object Removed; Auto Tracking; Motion Detection; Tampering; Human Body Detection; Video Loss; Alarm Input; Audio Detection
Alert Alarm	IP Conflict; Network Disconnected; Disk Offline; Disk Abnormal; Illegal Access; Hard Disk Space Low; Hard Disk Full; Recording/Snapshot Abnormal
<b>GUI Language</b>	<b>Description</b>
GUI Language	38 languages: Simplified Chinese, Traditional Chinese, English, Vietnamese, Thai, Turkish, Spanish (Latin America), Portuguese (Brazil), Spanish, Portuguese, French, German, Italian, Dutch, Polish, Czech, Hungarian, Slovak, Russian, Hebrew, Arabic, Ukrainian, Estonian, Bulgarian, Greek, Romanian, Danish, Swedish, Norwegian, Finnish, Croatian, Slovenia, Serbia, Korean, Japanese, Latvian, Lithuanian, Persian
<b>Hard Disk</b>	<b>Description</b>
SATA	1 SATA Interfaces
Capacity	Up to 10TB for each HDD (The maximum HDD capacity varies with environment temperature)
<b>External Interface</b>	<b>Description</b>
Network Interface	1 RJ45 10M/100M self-adaptive Ethernet Interface
USB	Rear panel: 1 x USB2.0, 1 x USB3.0
RS485	N/A
RS232	N/A
Alarm In	N/A
Alarm Out	N/A
Power Supply	NVR301-04B-P4-IQ:DC 48V/1.35A NVR301-08B-P8-IQ:DC 52V/1.8A
Power Switch	Support

PoE	Description
PoE Interface	NVR301-04B-P4-IQ:4 RJ45 10M/100M self-adaptive Ethernet Interface NVR301-08B-P8-IQ:8 RJ45 10M/100M self-adaptive Ethernet Interface
Max Power	NVR301-04B-P4-IQ:Max 30W for single port,Max 50W in total NVR301-08B-P8-IQ:Max 30W for single port,Max 75W in total
Supported Standard	IEEE 802.3at,IEEE 802.3af
Working Environment	Description
Working Temperature	-10°C ~ + 55°C (+14°F ~ +131°F)
Working Humidity	≤ 90% RH (non-condensing)
Power Consumption (without HD D)	≤ 12W
Dimensions	Description
Weight (without HDD)	≤ 2.7Kg (6.0lb)
Height	1U
Dimensions	260mm × 222mm × 47mm (10.2"×8.7"×1.8")
Certification	Description
Certification	CE; FCC; UL; RoHS; WEEE
CE	EN 55032, EN 61000-3-3, EN IEC 61000-3-2, EN 55035
FCC	Part15 Subpart B

## Dimensions



## Rear Panel



**Zhejiang Uniview Technologies Co., Ltd.**

No. 369, Xietong Road, Xixing Sub-district, Binjiang District, Hangzhou City, 310051, Zhejiang Province, China

Email: [overseasbusiness@uniview.com](mailto:overseasbusiness@uniview.com); [globalsupport@uniview.com](mailto:globalsupport@uniview.com)

<http://www.uniview.com>

©2024 Zhejiang Uniview Technologies Co., Ltd. All rights reserved.

\*Product specifications and availability are subject to change without notice.

\*Despite our best efforts, technical or typographical errors may exist in this document. Uniview cannot be held responsible for any such errors and reserves the right to change the contents of this document without prior notice.