

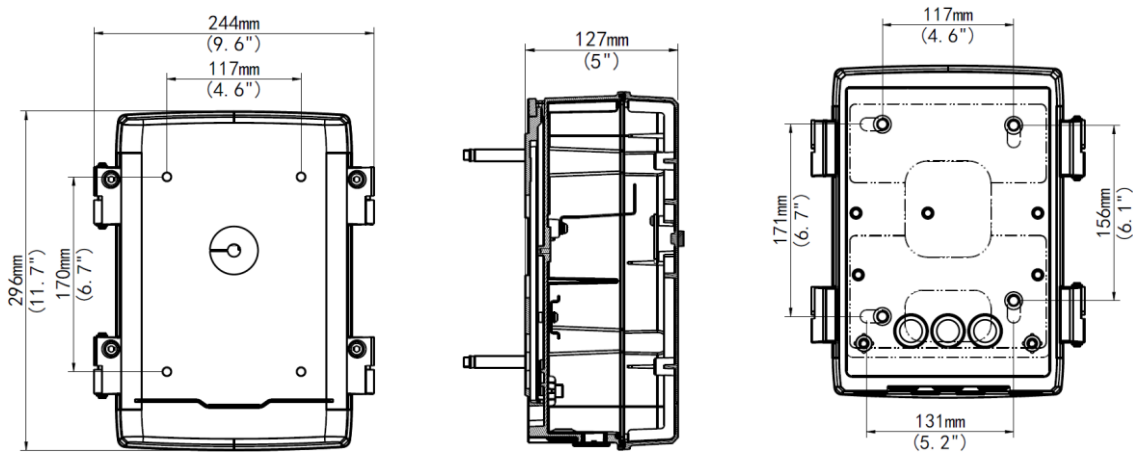
TR-JB12-IN 12-inch Junction Box



Specifications

Model	TR-JB12-IN
Application	Outdoor or indoor cable junction box for PTZ Dome series
Dimensions (H*W*D)	296mmx244mmx127mm (11.7" x9.6" x5")
Weight	2.5kg(5.5lb)
Material	Aluminium alloy

Dimensions



Zhejiang Uniview Technologies Co.,Ltd.

South Tower, Building 10, Wanlun Science Park, 88 Jiangling Road, Hangzhou, P.R.China 310051

Email: overseasbusiness@uniview.com; globalsupport@uniview.com

<http://www.uniview.com>

©2015 Zhejiang Uniview Technologies Co.,Ltd. All rights reserved.

*Product specifications and availability are subject to change without notice.